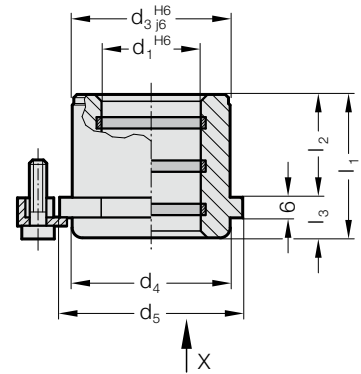
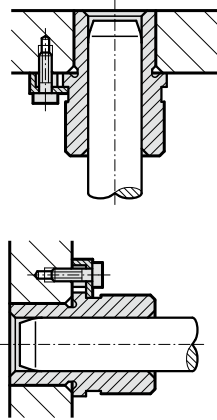


HEADED GUIDE BUSH ECO-LINE, BRONZE WITH SOLID LUBRICANT RINGS, ISO 9448-6



Mounting example

2081.75.



Material:

Bronze with solid lubricant, oilless lubricating

Execution:

Contact surface with solid lubricant rings.
Outside diameter precision ground.

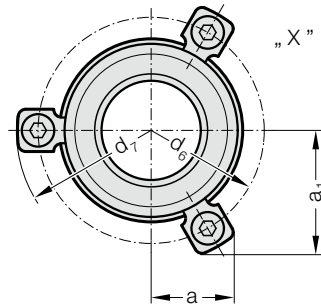
Note:

The attachment is with 3 Screw clamp, from $\varnothing d_1 = 38$ with 4 Screw clamp, which are included in delivery (Order No: 207.45 - Screw clamp incl. socket cap screw DIN 6912, Head $\varnothing 13$).

☞ Notes on sliding type guides at the beginning of chapter D.

☞ Matching guide combinations, see selection matrix at the beginning of chapter D.

☞ Assembly guide lines / Dimensional requirements and tolerances at the end of chapter D.



2081.75. Headed guide bush ECO-LINE, Bronze with solid lubricant rings, ISO 9448-6

d_1	19 20	24 25	30 32	38 40	48 50	60 63	80
d_3	32	40	48	58	70	85	105
d_4	32	40	48	58	70	85	105
d_5	40	48	56	66	80	95	118
d_6	52	60	67	77	91	106	129
d_7	64.7	72.7	79.7	89.7	103.7	118.7	141
a	20.7	22.65	24.4	35.3	40.2	45.5	54.4
a_1	30	33.4	36.4	35.3	40.2	45.5	54.4
l_1	35	35	42	52	65	80	80
l_2	23	23	30	37	47	60	60
l_3	12	12	12	15	18	20	20

Ordering Code (example):

Headed guide bush ECO-LINE, Bronze with solid lubricant rings, ISO 9448-6

= 2081.75.

Diameter of conduit d_1

38 mm = 038

Order No

= 2081.75.038