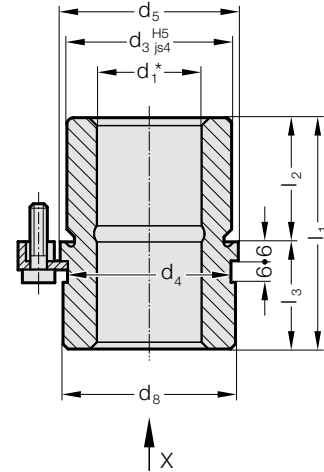
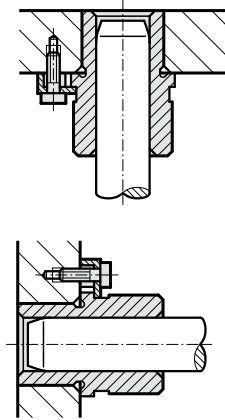


HEADED GUIDE BUSH, SINTERED FERRITE CARBONITRIDED WITH LONG-TERM LUBRICATION, ISO 9448-6



Mounting example

2081.33.



Material:

Sintered ferrite of high purity, carbonitrided, long-term lubrication

Execution:

Bearing surfaces and outside diameter precision ground.

Note:

The attachment is with 3 Screw clamp, from $\varnothing d_1 = 38$ with 4 Screw clamp, which are included in delivery (Order No: 207.45 - Screw clamp incl. socket cap screw DIN 6912, Head $\varnothing 13$).

☞ Notes on sliding type guides at the beginning of chapter D.

*☞ Bearing clearance see pairing classification at the beginning of chapter D.

☞ Matching guide combinations, see selection matrix at the beginning of chapter D.

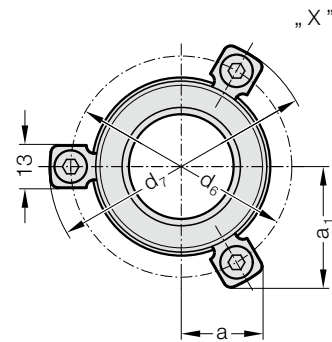
☞ Assembly guide lines / Dimensional requirements and tolerances at the end of chapter D.

Tolerance range:

yellow = .10

green = .20

red = .30



2081.33. Headed guide bush, sintered ferrite carbonitrided with long-term lubrication, ISO 9448-6

d_1	24 25	30 32	38 40	48 50
d_3	40	48	58	70
d_4	40	48	58	70
d_5	48	56	66	80
d_6	60	67	77	91
d_7	72.7	79.7	89.7	103.7
d_8	46	53	63	77
a	22.65	24.4	35.3	40.2
a_1	33.4	36.4	35.3	40.2
l_1	55	69	79	96
l_2	30	37	47	60
l_3	25	32	32	36

Ordering Code (example):

Headed guide bush, sintered ferrite carbonitrided with long-term lubrication, ISO 9448-6

= 2081.33.

Diameter of conduit d_1

38 mm = 038.

Classification TOL

yellow = 10

Order No

= 2081.33. 038. 10