

BALL CAGE WITH CIRCLIP AND FASTENING RING GROOVE, ALUMINIUM

Material:

Cage: Aluminium

Balls: Steel hardened (DIN 5401)

Note:

Notes on ball bearing type guides at the beginning of chapter D.

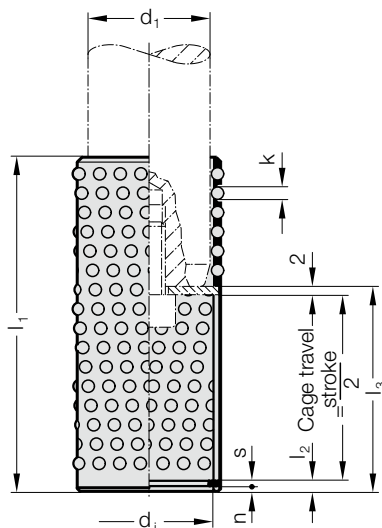
Bearing life and dynamic load indexes see at the end of chapter D.

l = Nominal ordering length

l_1 = Manufacturing length

Cage retainer 202.92.1. order separately

2060.65.



2060.65. Ball cage with circlip and fastening ring groove, Aluminium

d_1	19	20	24	25	30	32	38	40	48	50	60	63
$d_1 \times s$	20 x 1	21 x 1	25 x 1.2	26 x 1.2	31 x 1.2	33 x 1.2	39 x 1.5	41 x 1.75	48 x 1.75	51 x 2	60 x 2	63 x 2
k	3	3	3	3	4	4	4	4	4	4	4	4
l_2	2.6	2.6	2.6	2.6	2.6	2.6	3.45	3.45	4.3	4.3	4.3	4.3
n	1.3	1.3	1.3	1.3	1.3	1.3	1.85	1.6	1.6	2.15	2.15	2.15
l/l_1	l_3											
56 / 56	31	31	31	31								
70 / 70					41	41						
72 / 72	41	41	41	41								
80 / 80	51	51	51	51	51	51	51	51	51	51		
95 / 95					61	61	61	61	61	61	61	61
105 / 105					61	61	61	61				
120 / 120							73	73	73	73	73	73
140 / 140											83	83

Ordering Code (example):

Ball cage with circlip and fastening ring groove, Aluminium	=	2060.65.
Diameter of conduit d_1	38 mm =	038.
Nominal order length for ball cage l	80 mm =	080.
Slot length l_3	51 mm =	051
Order No	=	2060.65. 038.080.051