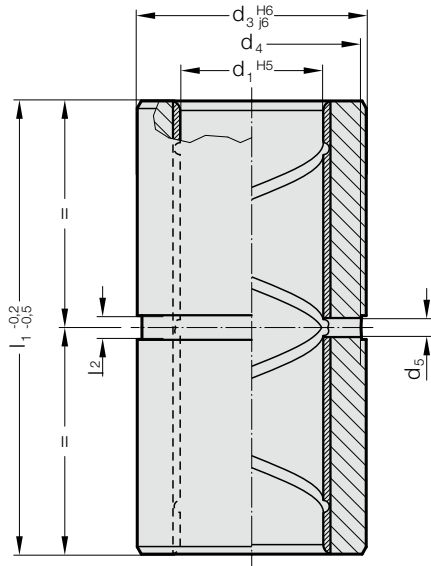


# GUIDE BUSH ECO-LINE, BRONZEPLATED, ISO 9448-2

2051.92.



**Material:**

Steel, d<sub>3</sub> induction hardened

**Execution:**

Bronze coated internal bore.

Outside diameter fine-ground.

**Slip-Fit Bonding:**

The position of the bearing is given by push fit holes tolerance H5. The adhesive (order no. 281.648) provides optimum push retention whilst offering the following **advantages:**

- high accuracy and stiffness
- no problems to find position when changing bushings

We do not recommend to press fit for the same reasons mentioned above.

**Note:**

- ☞ Notes on sliding type guides at the beginning of chapter D.
- ☞ Matching guide combinations, see selection matrix at the beginning of chapter D.
- ☞ Assembly guide lines / Dimensional requirements and tolerances at the end of chapter D.

**2051.92. Guide bush ECO-LINE, bronzeplated, ISO 9448-2**

|                | 15 16 | 19 20 | 24 25 | 30 32 | 38 40 | 48 50 | 60 63 | 80  |
|----------------|-------|-------|-------|-------|-------|-------|-------|-----|
| d <sub>3</sub> | 28    | 32    | 40    | 48    | 58    | 70    | 85    | 105 |
| d <sub>4</sub> | 26    | 30    | 38    | 46    | 56    | 67    | 82    | 101 |
| d <sub>5</sub> | 4     | 4     | 4     | 4     | 4     | 5     | 5     | 8   |
| l <sub>2</sub> | 5     | 5     | 5     | 5     | 5     | 6     | 6     | 9   |
| l <sub>1</sub> |       |       |       |       |       |       |       |     |
| 23             | ●     | ●     | ●     |       |       |       |       |     |
| 30             | ●     | ●     | ●     | ●     | ●     |       |       |     |
| 37             | ●     | ●     | ●     | ●     | ●     | ●     |       |     |
| 47             | ●     | ●     | ●     | ●     | ●     | ●     |       |     |
| 60             | ●     | ●     | ●     | ●     | ●     | ●     | ●     |     |
| 77             |       | ●     | ●     | ●     | ●     | ●     | ●     |     |
| 95             |       |       |       | ●     | ●     | ●     | ●     |     |
| 120            |       |       |       |       | ●     | ●     | ●     | ●   |
| 135            |       |       |       |       |       |       |       | ●   |

**Ordering Code (example):**

|   |         |                   |
|---|---------|-------------------|
| Guide bush ECO-LINE, bronzeplated, ISO 9448-2 | =       | 2051.92.          |
| Diameter of conduit d <sub>1</sub>            | 32 mm = | 032.              |
| Length l <sub>1</sub>                         | 30 mm = | 030               |
| Order No                                      | =       | 2051.92. 032. 030 |