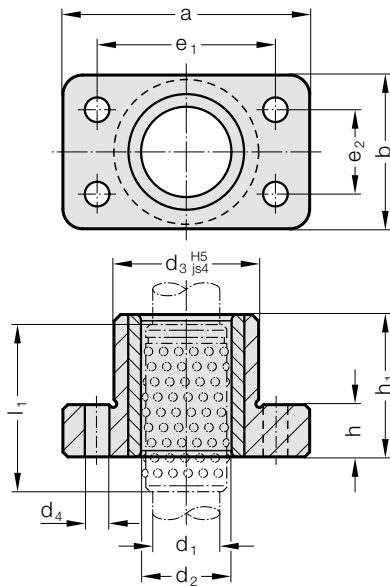


GUIDE BEARING LOW BUILD HEIGHT, FOR BALL BEARING GUIDE

2031.44.



Material:

Basic body: Special cast iron
 Guide bush 2061.44.: Tool steel, Hardness: 62 ± 2 HRC

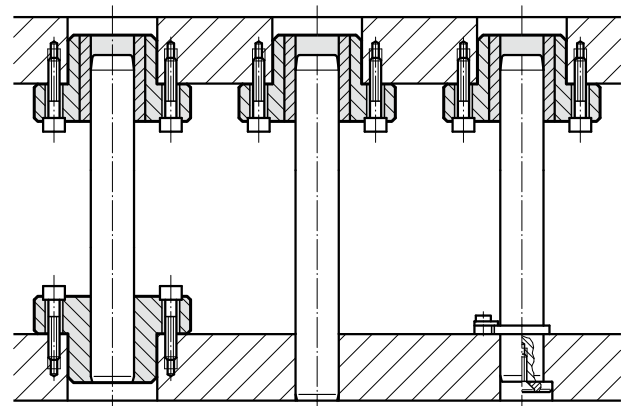
Execution:

Both faces machined to dims. h; O. D. d₃ turned.
 Bores honed.

Note:

- ☞ Notes on ball bearing type guides at the beginning of chapter D.
 - ☞ Preloading see pairing classification at the beginning of chapter D
 - ☞ Matching guide combinations, see selection matrix at the beginning of chapter D.
- Tolerance range:
 yellow = .10
 green = .20
 red = .30

Mounting example



2031.44. Guide bearing low build height, for ball bearing guide

d ₁	19 20	24 25	30 32	38 40	48 50
d ₂	25 26	30 31	38 40	46 48	56 58
d ₃	42	47	62	77	93
d ₄	9	9	11	14	18
a	85	90	115	130	160
b	45	50	65	80	96
e ₁	64	68	83	95	118
e ₂	24	28	34	45	55
h	16	20	23	28	33
h ₁	37	47	60	77	95
l ₁	44	56	70	95	120
l*	45	56	71	95	120

*l = Nominal ordering length of ball cage - preferred length

Ordering Code (example):

Guide bearing low build height, for ball bearing guide	= 2031.44.
Diameter of conduit d ₃	32 mm = 032.
Classification TOL	yellow = 10
Order No	= 2031.44. 032. 10