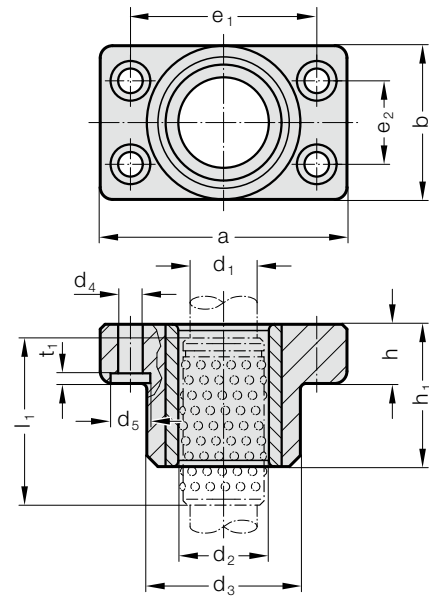


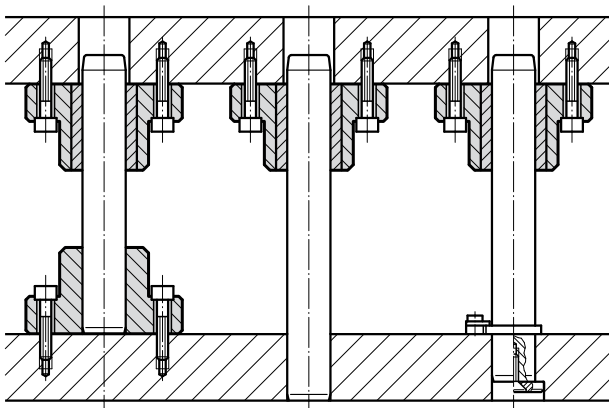
GUIDE BEARING WITH SCREW HOLES, FOR BALL BEARING GUIDE



2031.42.



Mounting example



Material:

Basic body: Special cast iron

Guide bush 2061.44.: Tool steel, Hardness: 62 ± 2 HRC

Execution:

Face and top machined. Bores honed.

Note:

- ☞ Notes on ball bearing type guides at the beginning of chapter D.
- ☞ Preloading see pairing classification at the beginning of chapter D
- ☞ Matching guide combinations, see selection matrix at the beginning of chapter D.

Tolerance range:

yellow = .10

green = .20

red = .30

2031.42. Guide bearing with screw holes, for ball bearing guide

d ₁	15 16	19 20	24 25	30 32	38 40	48 50	60 63
d ₂	21 22	25 26	30 31	38 40	46 48	56 58	68 71
d ₃	35	45	50	65	80	96	110
d ₄	6.6	9	9	11	14	18	18
d ₅	11	15	15	18	20	26	26
t ₁	3	3	3	3	3	4	4
a	70	85	90	115	130	160	180
b	35	45	50	65	80	96	110
e ₁	53	64	68	83	95	118	132
e ₂	19	24	28	34	45	55	62
h	18	18	22	25	30	35	35
h ₁	30	37	47	60	77	95	120
l ₁	44	44	56	70	95	120	140
l*	45	45	56	71	95	120	140

*l = Nominal ordering length of ball cage - preferred length

Ordering Code (example):

Guide bearing with screw holes, for ball bearing guide = 2031.42.

Diameter of conduit d₁ 32 mm = 032.

Classification TOL yellow = 10

Order No = 2031.42. 032. 10