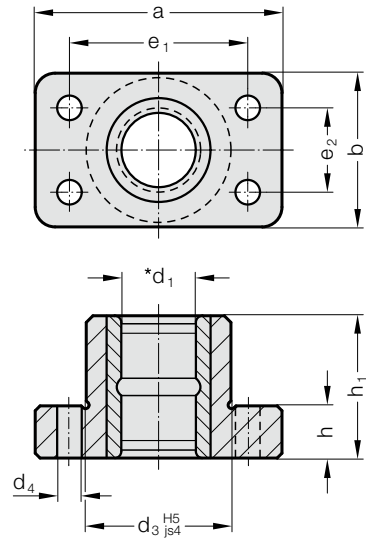


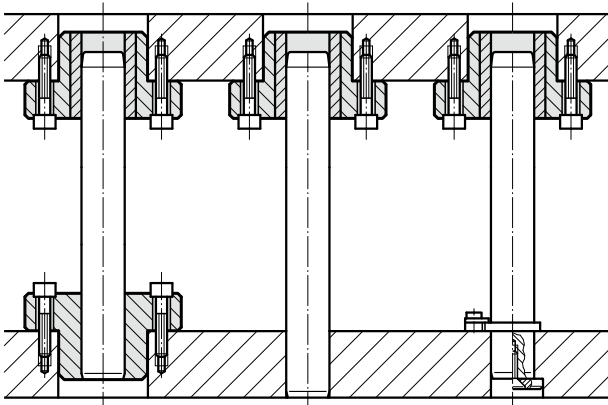
# GUIDE BEARING, LOW BUILD HEIGHT, SINTERED GUIDE



2031.38.



## Mounting example



## Material:

Basic body: Special cast iron

Guide bush 2051.32.: Sintered ferrite of high purity, carbonitrided, long-term lubrication

## Execution:

Both faces machined to dims. h; O. D.  $d_3$  turned.

Bores honed.

## Note:

☞ Notes on sliding type guides at the beginning of chapter D.

☞ Bearing clearance see pairing classification at the beginning of chapter D.

☞ Matching guide combinations, see selection matrix at the beginning of chapter D.

Tolerance range:

yellow = .10

green = .20

red = .30

## 2031.38. Guide bearing, low build height, sintered guide

$d_1$	15 16	19 20	24 25	30 32	38 40	48 50	60 63	80
$d_3$	32	42	47	62	77	93	107	127
$d_4$	7	9	9	11	14	18	18	22
a	70	85	90	115	130	160	180	215
b	35	45	50	65	80	96	110	130
$e_1$	53	64	68	83	95	118	132	160
$e_2$	19	24	28	34	45	55	62	75
h	16	16	20	23	28	33	33	38
$h_1$	30	37	47	60	77	95	120	120

## Ordering Code (example):

Guide bearing, low build height, sintered guide = 2031.38.  
 Diameter of conduit  $d_1$  32 mm = 032.  
 Classification TOL yellow = 10  
 Order No = 2031.38. 032. 10