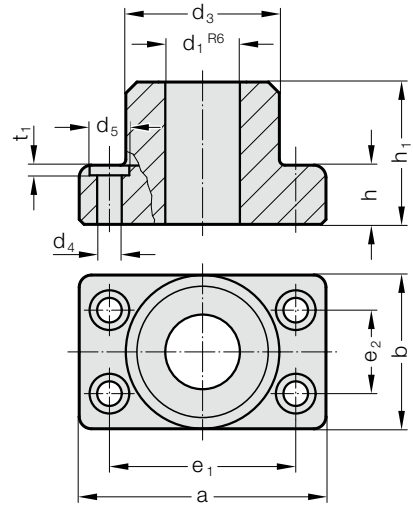


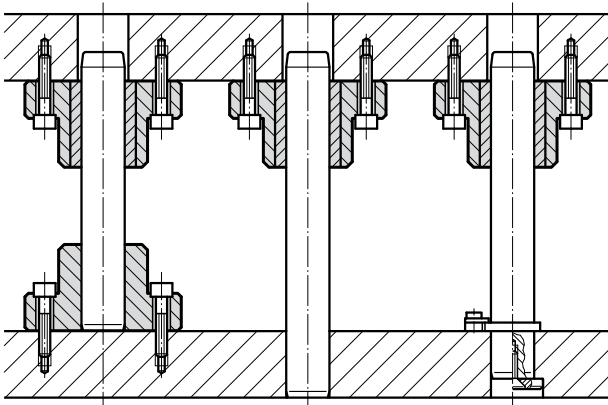
RETENTION BEARING WITH SCREW HOLES



2031.02.



Mounting example



Material:

Special cast iron

Execution:

Face and top machined. Hole fine bored to d_1^{R6} fit.

Note:

Check squareness of pillars after press-fitting.

2031.02. Retention bearing with screw holes

d_1	15 16	19 20	24 25	30 32	38 40	48 50	60 63	80
d_3	35	45	50	65	80	96	110	130
d_4	6.6	9	9	11	14	18	18	22
d_5	11	15	15	18	20	26	26	33
t_1	3	3	3	3	3	4	4	4
a	70	85	90	115	130	160	180	215
b	35	45	50	65	80	96	110	130
e_1	53	64	68	83	95	118	132	160
e_2	19	24	28	34	45	55	62	75
h	18	18	22	25	30	35	35	40
h_1	30	37	47	60	77	95	120	120

Ordering Code (example):

Retention bearing with screw holes = 2031.02.
 Diameter of conduit d_1 32 mm = 032
 Order No = 2031.02. 032