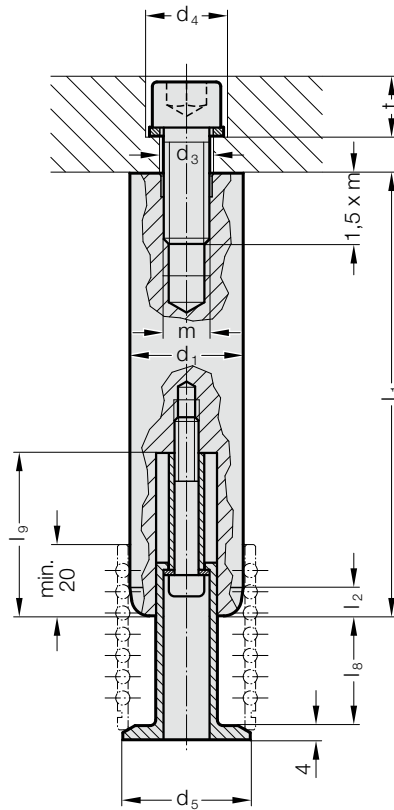


顶端可旋装且带滚珠的导向柱, ~DIN 9825/~ISO 9182-2



202.55.



材料:

钢, (核抗张强度: $\geq 900 \text{ N/mm}^2$) 表层硬化处理
表面硬度: $60 + 3 \text{ HRC}$, 淬火深度 $\geq 1,8 \text{ mm}$

结构:

精密磨削

直角性 $0,005 \text{ mm}$ 在 100 mm

说明:

☞ 预负载 见D章开始处的分类表。

☞ 匹配连接请见D章开始的矩阵表格。

球锁固定座尺寸 202.91.

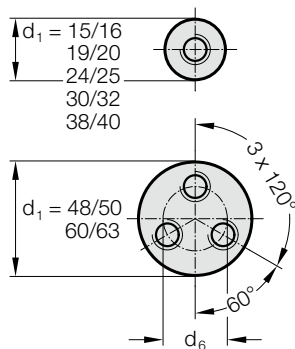
公差范围:

黄色 = .10

绿色 = .20

红色 = .30

立柱附件的鑽孔圖



顶端可旋装且带滚珠的导向柱, ~DIN 9825/~ISO 9182-2

202.55. 顶端可旋装且带滚珠的导向柱, ~DIN 9825/~ISO 9182-2

d ₁	38	40	48	50	60	63
d ₃	18	18	14	14	18	18
d ₄	28	28	22	22	28	28
d ₅	42	44	52	54	64	67
d ₆	0	0	28	28	34	34
t	20.5	20.5	16	16	20.5	20.5
m	16	16	12	12	16	16
螺丝	M16x40	M16x40	M12x50	M12x50	M16x60	M16x60
螺栓的 转矩 [Nm]	150	150	85	85	200	200
KG (l ₈ / l ₉)						
1 (31/46)	●	●	●	●	●	●
2 (41/56)	●	●	●	●	●	●
3 (51/66)	●	●	●	●	●	●
4 (61/76)	●	●	●	●	●	●
5 (73/89)	●	●	●	●	●	●
l ₁						
160	●	●				
180	●	●	●	●		
200	●	●	●	●		
224	●	●	●	●		
250	●	●	●	●	●	●
280	●	●	●	●	●	●
315	●	●	●	●	●	●
355	●	●	●	●	●	●
400	●	●	●	●	●	●
450	●	●	●	●	●	●
500	●	●	●	●	●	●
550	●	●	●	●	●	●
600	●	●	●	●	●	●
700	●	●	●	●	●	●
800	●	●	●	●	●	●

订购示例:

顶端可旋装且带滚珠的导向柱, ~DIN 9825/~ISO 9182-2	=	202.55.
导向装置直径 d ₁	48 mm =	048.
长度 l ₁	550 mm =	550.
笼形支架尺寸 KG	1 =	1.
分类 TOL	黄色 =	10
订购编号	=	202.55.048.550.1.10