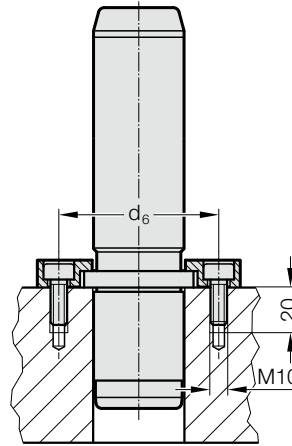


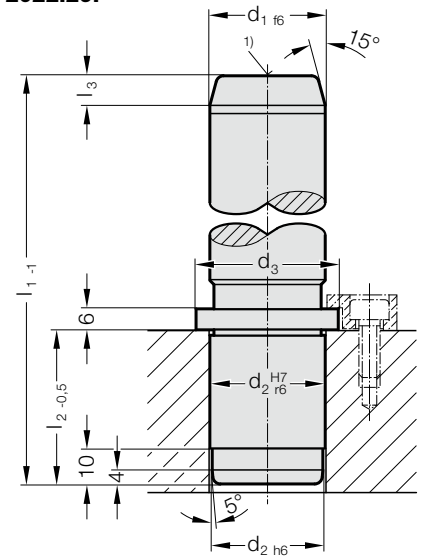
# GUIDE PILLAR WITH COLLAR, TO WDX



Mounting example



2022.29.



**Material:**

Steel, surface hardened  
 Surface hardness: 60 + 4 HRC, Hardness penetration 1,5 + 1 mm

**Execution:**

precision ground  
 Method of manufacturing entails that centre holes are not concentric with O.D.

1) from  $\varnothing d_1 = 80$  - with thread M12x18 deep

**Note:**

Guide pillar is recommended to be used only with guide elements with solid lubricant.

☞ Matching guide combinations, see selection matrix at the beginning of chapter D.

☞ Assembly guide lines / Dimensional requirements and tolerances at the end of chapter D.

Order No. for guide pillar with collar, to WDX, with screw clamps:  
 2022.29.□□□.□□□.A

**Fixing:**

(to be ordered separately)  
 Screw clamps with screws 2072.46 (M10 x 20 DIN EN ISO 4762)  
 up to  $\varnothing d_1 = 50$  - 2 screw clamps  
 from  $\varnothing d_1 = 63$  - 3 screw clamps

**2022.29. Guide pillar with collar, to WDX**

$d_1$	25	32	40	50	63	80	100
$d_2$	25	32	40	50	63	80	100
$d_3$	32	40	50	60	80	90	110
$d_6$	68	75	83	93	106	123	143
$l_2$	40	42	56	70	80	100	125
$l_3$	6	8	8	10	10	10	10
$l_1$							
125	●						
140	●	●					
160	●	●	●	●			
180	●	●	●	●			
200	●	●	●	●	●		
224	●	●	●	●	●	●	
250		●	●	●	●	●	
280			●	●	●	●	●
315				●	●	●	●
355					●	●	●
400					●	●	●
500						●	●

**Ordering Code (example):**

Guide pillar with collar, to WDX	=	2022.29.
Diameter of conduit $d_1$	50 mm =	050.
Length $l_1$	160 mm =	160
Order No	=	2022.29. 050. 160