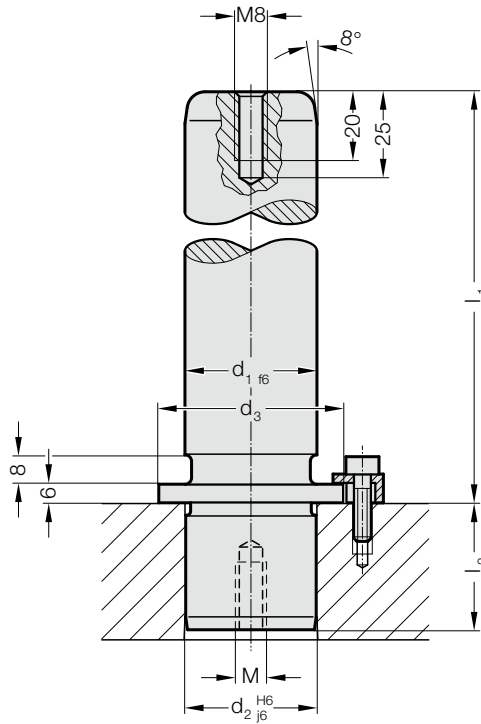


GUIDE PILLAR WITH COLLAR



2021.28.



Material:

Steel, surface hardened
 Surface hardness: 60 + 4 HRC, Hardness penetration 1,5 + 1 mm

Execution:

ground
 Method of manufacturing entails that centre holes are not concentric with O.D.

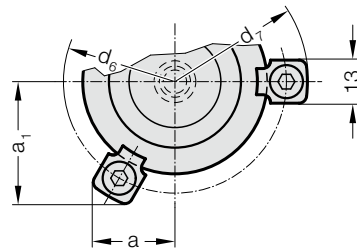
Note:

Guide pillars only recommended for use with sliding guides!
 The attachment is with 3 Screw clamp, from $\phi d_1 = 38$ with 4 Screw clamp, which are included in delivery (Order No: 207.45 - Screw clamp incl. socket cap screw DIN 6912, M6x20, Head $\phi 13$).

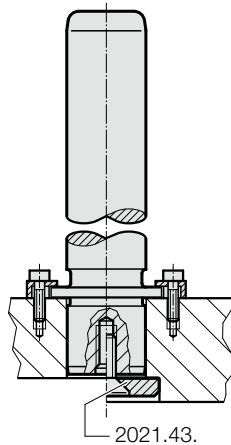
Optionally, it is also possible to fix it with a central screw connection 2021.43. or supporting ring 2021.45. (order separately).

☞ Matching guide combinations, see selection matrix at the beginning of chapter D.

☞ Assembly guide lines / Dimensional requirements and tolerances at the end of chapter D.



Mounting example



GUIDE PILLAR WITH COLLAR

2021.28. Guide pillar with collar

d ₁	15 16	19 20	24 25	30 32	38 40	48 50	60 63	80
d ₂	15 16	19 20	24 25	30 32	38 40	48 50	60 63	80
d ₃	22	25	32	40	50	63	80	95
d ₆	33	36	43	51	61	74	91	106
d ₇	45.7	48.7	55.7	63.7	73.7	86.7	103.7	118.7
a	15.9	16.6	18.4	20.4	29.2	33.8	39.8	46.2
a ₁	21.7	23	26	29.5	29.2	33.8	39.8	46.2
m	M8	M8	M8	M8	M8	M8	M8	M12
l ₂	20	23	30	37	37	47	47	60
l ₁								
100	●	●	●					
112	●	●	●	●				
125	●	●	●	●	●			
140	●	●	●	●	●	●		
160	●	●	●	●	●	●	●	
180	●	●	●	●	●	●	●	
200	●	●	●	●	●	●	●	●
224			●	●	●	●	●	●
250			●	●	●	●	●	●
280				●	●	●	●	●
315				●	●	●	●	●
355					●	●	●	●
400						●	●	●

Ordering Code (example):

Guide pillar with collar	=	2021.28.
Diameter of conduit d ₁	32 mm =	032.
Length l ₁	112 mm =	112
Order No	=	2021.28. 032. 112