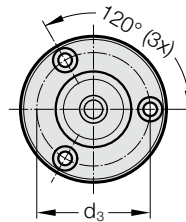
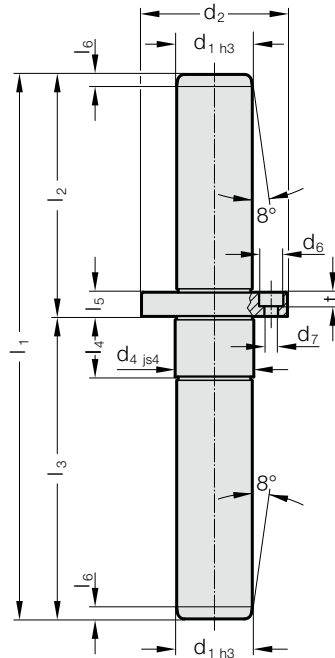


DEMOUNTABLE GUIDE PILLAR WITH CENTRE FIXING



2020.62.



Material:

Steel, (Core strength: $\geq 900 \text{ N/mm}^2$)
 surface hardened
 Surface hardness: $60 + 3 \text{ HRC}$, Hardness
 penetration $2 + 1,6 \text{ mm}$

Execution:

precision ground

Note:

Use socket cap screws DIN EN ISO 4762
 12.9.

Bearing clearance / Preloading see
 pairing classification at the beginning of
 chapter D.

Matching guide combinations, see
 selection matrix at the beginning of chapter
 D.

Bending equation see at the beginning
 of chapter D.

$\varnothing 12$ only available in tolerance range yellow
 = .10

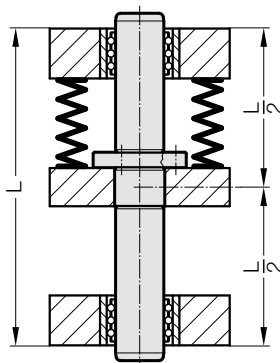
Tolerance range:

yellow = .10

green = .20

red = .30

Mounting example



DEMOUNTABLE GUIDE PILLAR WITH CENTRE FIXING

2020.62. Demountable guide pillar with centre fixing

d ₁	d ₂	d ₃	d ₄	d ₆	d ₇	t	l ₁	l ₂	l ₃	l ₄	l ₅	l ₆
12	28	20	13	6	3.4	3.4	90	40	50	12	6	3
12	28	20	13	6	3.4	3.4	100	40	60	12	6	3
12	28	20	13	6	3.4	3.4	110	50	60	12	6	3
12	28	20	13	6	3.4	3.4	120	50	70	12	6	3
12	28	20	13	6	3.4	3.4	130	60	70	12	6	3
12	28	20	13	6	3.4	3.4	140	70	70	12	6	3
16	38	28	18	8	4.5	4.6	140	60	80	16	8	4
16	38	28	18	8	4.5	4.6	150	60	90	16	8	4
16	38	28	18	8	4.5	4.6	160	70	90	16	8	4
16	38	28	18	8	4.5	4.6	170	70	100	16	8	4
16	38	28	18	8	4.5	4.6	180	80	100	16	8	4
16	38	28	18	8	4.5	4.6	190	90	100	16	8	4
19	42	32	22	8	4.5	4.6	160	70	90	20	8	4
19	42	32	22	8	4.5	4.6	170	70	100	20	8	4
19	42	32	22	8	4.5	4.6	180	80	100	20	8	4
19	42	32	22	8	4.5	4.6	190	80	110	20	8	4
19	42	32	22	8	4.5	4.6	200	90	110	20	8	4
19	42	32	22	8	4.5	4.6	210	100	110	20	8	4
25	48	38	26	8	4.5	4.6	180	80	100	22	8	6
25	48	38	26	8	4.5	4.6	190	80	110	22	8	6
25	48	38	26	8	4.5	4.6	200	90	110	22	8	6
25	48	38	26	8	4.5	4.6	210	90	120	22	8	6
25	48	38	26	8	4.5	4.6	220	100	120	22	8	6
25	48	38	26	8	4.5	4.6	230	110	120	22	8	6
32	60	48	34	10	5.5	5.7	180	80	100	25	10	7
32	60	48	34	10	5.5	5.7	190	80	110	25	10	7
32	60	48	34	10	5.5	5.7	200	90	110	25	10	7
32	60	48	34	10	5.5	5.7	210	90	120	25	10	7
32	60	48	34	10	5.5	5.7	220	100	120	25	10	7
32	60	48	34	10	5.5	5.7	230	100	130	25	10	7
32	60	48	34	10	5.5	5.7	240	110	130	25	10	7
32	60	48	34	10	5.5	5.7	250	110	140	25	10	7
40	70	56	42	11	6.6	6.8	200	90	110	27	12	7
40	70	56	42	11	6.6	6.8	210	90	120	27	12	7
40	70	56	42	11	6.6	6.8	220	100	120	27	12	7
40	70	56	42	11	6.6	6.8	230	100	130	27	12	7
40	70	56	42	11	6.6	6.8	240	110	130	27	12	7
40	70	56	42	11	6.6	6.8	250	110	140	27	12	7
40	70	56	42	11	6.6	6.8	260	120	140	27	12	7

Ordering Code (example):

Demountable guide pillar with centre fixing	=	2020.62.
Diameter of conduit d ₁	25 mm =	025.
Length with bush (short) l ₂	80 mm =	080.
Length to bush (long) l ₃	110 mm =	110.
Classification TOL	yellow =	10
Order No	=	2020.62. 025.080. 110. 10