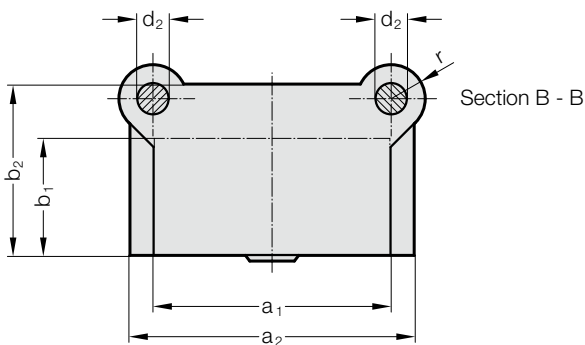
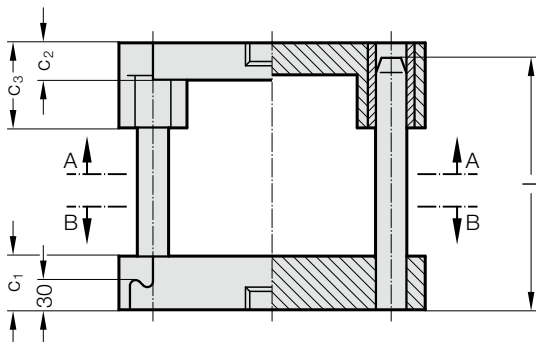
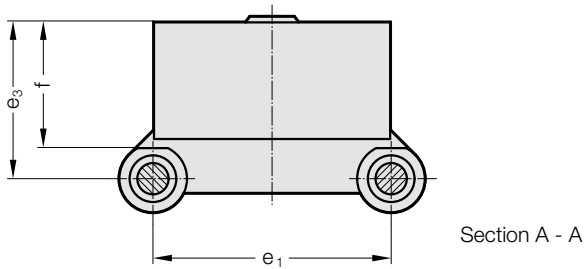
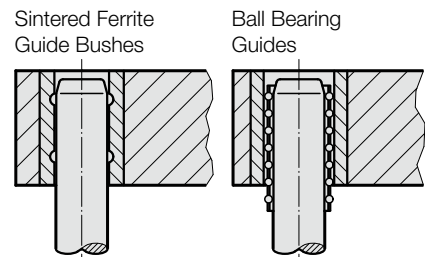


# DIE SET DIN 9822 SHAPE C

201.31.



## Guide Elements



Order No (part 2)  
Without shank thread  
in top bolster



## 201.31. Die set DIN 9822 Shape C

Order No part 1*	Work area		a <sub>2</sub>	b <sub>2</sub>	C <sub>1</sub>	C <sub>2</sub>	C <sub>3</sub>	d <sub>2</sub>	e <sub>1</sub>	e <sub>3</sub>	f	l	r
	a <sub>1</sub> x b <sub>1</sub>												
201.31.063.050.□□□□□□	63 x 50		95	84	40	25	50	20	72	77	55	140 - 400	22
201.31.080.063.□□□□□□	80 x 63		125	105	45	30	60	20	80	92	68	160 - 400	27
201.31.100.063.□□□□□□	100 x 63		145	105	45	30	60	20	100	92	68	160 - 400	27
201.31.100.080.□□□□□□	100 x 80		145	130	50	30	70	25	100	112	87	160 - 500	30
201.31.125.080.□□□□□□	125 x 80		170	130	50	30	70	25	125	112	87	160 - 500	30
201.31.160.080.□□□□□□	160 x 80		205	130	50	30	70	25	160	112	87	160 - 500	30
201.31.125.100.□□□□□□	125 x 100		170	150	56	40	90	32	125	140	107	180 - 500	37
201.31.160.100.□□□□□□	160 x 100		205	150	56	40	90	32	160	140	107	180 - 500	37
201.31.200.100.□□□□□□	200 x 100		245	150	56	40	90	32	200	140	107	180 - 500	37
201.31.160.125.□□□□□□	160 x 125		215	180	56	40	90	32	160	165	132	180 - 500	37
201.31.200.125.□□□□□□	200 x 125		255	180	56	40	90	32	200	165	132	180 - 500	37
201.31.250.125.□□□□□□	250 x 125		305	180	56	40	90	32	250	165	132	180 - 500	37
201.31.200.160.□□□□□□	200 x 160		255	225	63	50	120	40	200	210	167	224 - 800	48
201.31.250.160.□□□□□□	250 x 160		305	225	63	50	120	40	250	210	167	224 - 800	48
201.31.250.200.□□□□□□	250 x 200		305	270	63	50	120	50	250	260	207	224 - 800	56
201.31.315.250.□□□□□□	315 x 250		370	320	63	50	120	50	315	310	257	224 - 800	56

\*Order number part 2 = add guide type and guide pillar type/length  
 Order example, see beginning of chapter A cast pillar frames