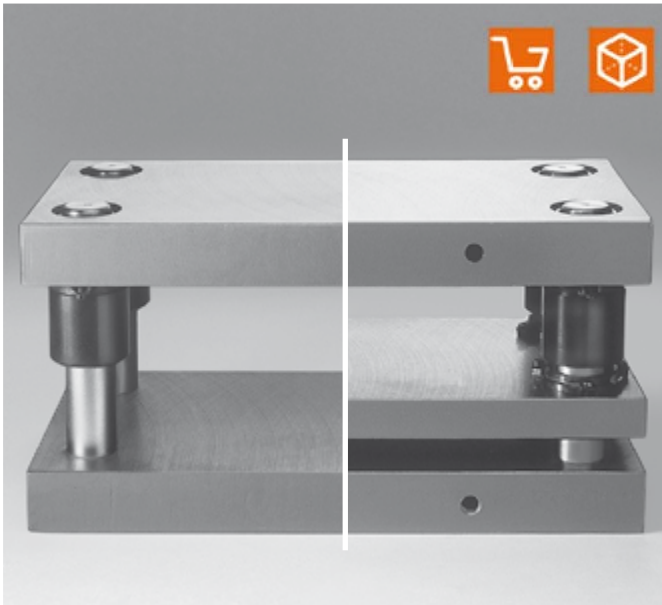
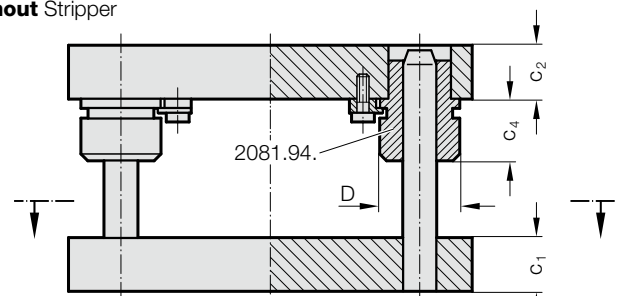


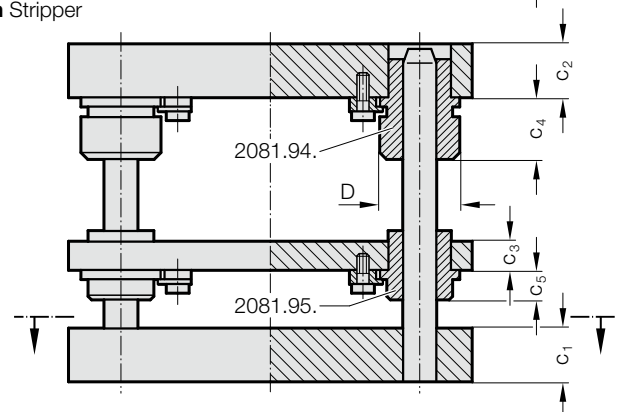
DIE SET WITHOUT / WITH STRIPPER ECO-LINE



without Stripper



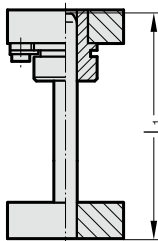
with Stripper



Executions:

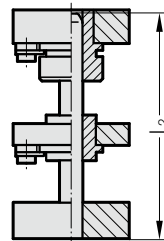
With press-fitted guide pillars 202.29.

Headed Guide Bushes bronze plated **without** stripper



2010.5□.□□□□.□.894

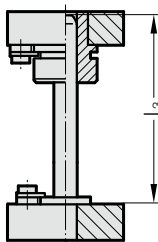
Headed Guide Bushes bronze plated **with** stripper



2010.5□.□□□□.□.895

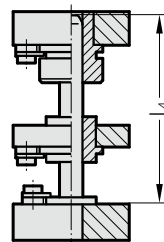
With demountable guide pillars 2021.29.***

Headed Guide Bushes bronze plated **without** stripper



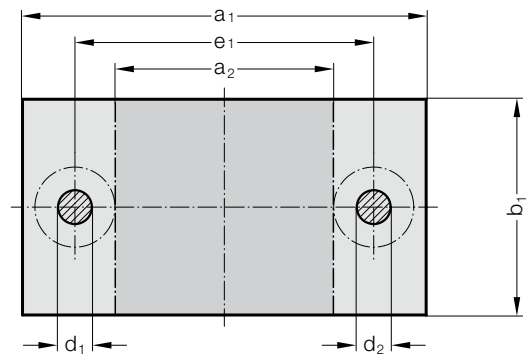
2010.5□.□□□□.□.894.29

Headed Guide Bushes bronze plated **with** stripper

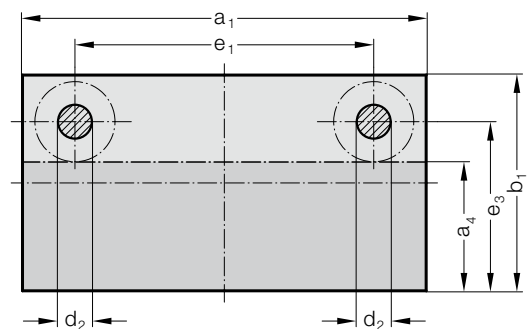


2010.5□.□□□□.□.895.29

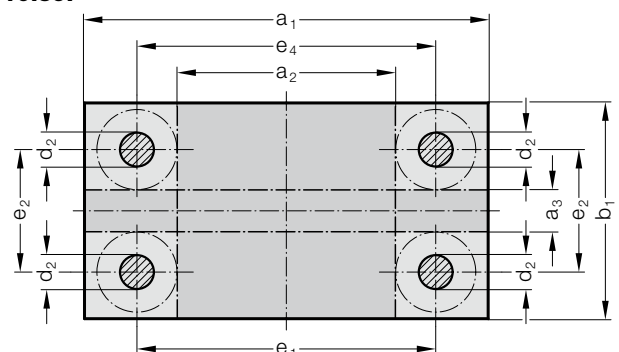
2010.55.



2010.57.



2010.59.



Description:

FIBRO steel die sets 2010.5x are supplied with bronze-plated guide bushes. These are seated in push-fit bolster bores and retained there by screw clamps.

Execution:

External contours milled
Thickness surfaces ground

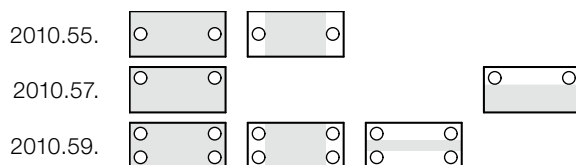
Note:

*** to be fixed only with screw clamps

DIE SET WITHOUT / WITH STRIPPER ECO-LINE

2010.5□.

Type



Order No.	Type	Size	P*	Execution	Execution***	external dimensions		Work area(s)**		c ₁	c ₂	c ₃	c ₄	c ₅	d ₁ /d ₂	l ₁ /l ₂	l ₃ /l ₄	D	e ₁	e ₂	e ₃	e ₄
						a ₁ x b ₁	a ₂ x b ₁	a ₁ x a ₃	a ₁ x a ₄													
2010.55.	2512.	1.				250 x 125	120 x 125	-	-	40	40	32	36	12	24/25	180/200	140/180	46	170	-	-	-
2010.55.	2512.	4.				250 x 125	120 x 125	-	-	32	32	32	36	12	24/25	180/200	140/180	46	170	-	-	-
2010.57.	2520.	1.	894			250 x 200	-	-	250 x 135	40	40	-	36	-	-/25	180/-	140/-	46	170	-	160	-
2010.57.	2520.	4.	894			250 x 200	-	-	250 x 135	32	32	-	36	-	-/25	180/-	140/-	46	170	-	160	-
2010.59.	2520.	4.				250 x 200	120 x 200	250 x 50	-	32	32	32	36	12	-/25	180/200	140/180	46	170	120	-	173
2010.59.	2525.	4.				250 x 250	120 x 250	250 x 100	-	32	32	32	36	12	-/25	180/200	140/180	46	170	170	-	173
2010.55.	3116.	1.				315 x 160	165 x 160	-	-	50	50	32	45	12	30/32	200/224	160/200	53	225	-	-	-
2010.55.	3116.	4.				315 x 160	165 x 160	-	-	40	40	32	45	12	30/32	200/224	160/200	53	225	-	-	-
2010.55.	3120.	4.				315 x 200	165 x 200	-	-	40	40	32	45	12	30/32	200/224	160/200	53	225	-	-	-
2010.57.	3120.	4.	894			315 x 200	-	-	315 x 125	40	40	-	45	12	-/32	200/-	160/-	53	225	-	155	-
2010.59.	3120.	4.				315 x 200	165 x 200	315 x 30	-	40	40	32	45	12	-/32	200/224	160/200	53	225	110	-	228
2010.57.	3125.	1.	894			315 x 250	-	-	315 x 175	50	50	-	45	-	-/32	200/-	160/-	53	225	-	205	-
2010.59.	3125.	1.				315 x 250	165 x 250	315 x 80	-	50	50	32	45	12	-/32	200/224	160/200	53	225	160	-	228
2010.59.	3125.	4.				315 x 250	165 x 250	315 x 80	-	40	40	32	45	12	-/32	200/224	160/200	53	225	160	-	228
2010.59.	3131.	1.				315 x 315	165 x 315	315 x 145	-	50	50	32	45	12	-/32	200/224	160/200	53	225	225	-	228
2010.55.	4020.	4.				400 x 200	250 x 200	-	-	40	40	32	45	12	30/32	200/224	160/200	53	310	-	-	-
2010.59.	4020.	4.				400 x 200	250 x 200	400 x 30	-	40	40	32	45	12	-/32	200/224	160/200	53	310	110	-	313
2010.55.	4025.	1.				400 x 250	250 x 250	-	-	50	50	32	45	12	30/32	200/224	160/200	53	310	-	-	-
2010.57.	4025.	1.	894			400 x 250	-	-	400 x 175	50	50	-	45	-	-/32	200/-	160/-	53	310	-	205	-
2010.59.	4025.	1.				400 x 250	250 x 250	400 x 80	-	50	50	32	45	12	-/32	200/224	160/200	53	310	160	-	313
2010.59.	4025.	4.				400 x 250	250 x 250	400 x 80	-	40	40	32	45	12	-/32	200/224	160/200	53	310	160	-	313
2010.57.	4031.	4.	894			400 x 315	-	-	400 x 240	40	40	-	45	-	-/32	200/-	160/-	53	310	-	270	-
2010.59.	4031.	1.				400 x 315	250 x 315	400 x 145	-	50	50	32	45	12	-/32	200/224	160/200	53	310	225	-	313
2010.59.	4040.	1.				400 x 400	250 x 400	400 x 230	-	50	50	32	45	12	-/32	200/224	160/200	53	310	310	-	313
2010.59.	4040.	4.				400 x 400	250 x 400	400 x 230	-	40	40	32	45	12	-/32	200/224	160/200	53	310	310	-	313
2010.55.	5025.	1.				500 x 250	325 x 250	-	-	50	50	32	45	15	38/40	200/224	160/200	63	400	-	-	-
2010.59.	5025.	1.				500 x 250	325 x 250	500 x 75	-	50	50	32	45	15	-/40	200/224	160/200	63	400	150	-	403
2010.59.	5025.	4.				500 x 250	325 x 250	500 x 75	-	40	40	32	45	15	-/40	200/224	160/200	63	400	150	-	403
2010.55.	5031.	1.				500 x 315	325 x 315	-	-	50	50	32	45	15	38/40	200/224	160/200	63	400	-	-	-
2010.59.	5031.	1.				500 x 315	325 x 315	500 x 140	-	50	50	32	45	15	-/40	200/224	160/200	63	400	215	-	403
2010.59.	5040.	1.				500 x 400	325 x 400	500 x 225	-	50	50	32	45	15	-/40	200/224	160/200	63	400	300	-	403
2010.59.	5050.	1.				500 x 500	325 x 500	500 x 325	-	50	50	32	45	15	-/40	200/224	160/200	63	400	400	-	403

*Thickness combinations

**Work area dimensions are not affected by the positions of the screw clamps that retain the bushes!

***With demountable guide pillars 2021.29.

Next day delivery!

Ordering Code (example):

Type of Die Set (external dimensions

a₁ x b₁ = 400 x 250; c₁ = c₂ = 50) = 2010.55.4025.1.

Execution with stripper = 895.

With demountable guide pillars 2021.29. = 29

Order No = 2010.55.4025.1.895.29

Ordering Code (example):

Type of Die Set (external dimensions

a₁ x b₁ = 400 x 250; c₁ = c₂ = 50) = 2010.55.4025.1.

Execution with stripper = 895

Order No = 2010.55.4025.1.895