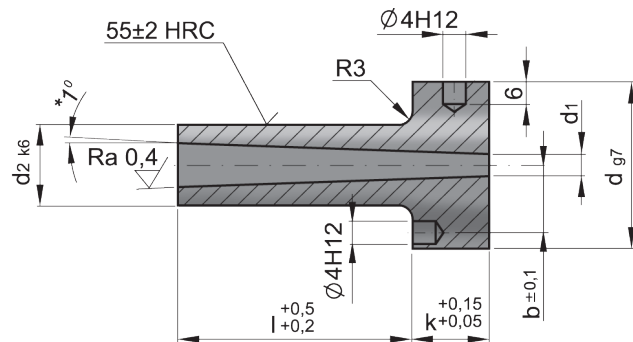


Tuleja wtryskowa

Sprue bushing

TWC



Na życzenie oferujemy tuleje z kątem 0,5°
Hole inclination 0,5° on request

| d2 | d | k | b | d1 | l | NR KAT. |
|----|----|----|----|-----|-----|-------------|
| 12 | 28 | 13 | 11 | 2,5 | 22 | TWC-122522 |
| | | | | | 27 | TWC-122527 |
| | | | | | 36 | TWC-122536 |
| | | | | | 46 | TWC-122546 |
| | | | | 3,5 | 22 | TWC-123522 |
| | | | | | 27 | TWC-123527 |
| | | | | | 36 | TWC-123536 |
| | | | | | 46 | TWC-123546 |
| | | | | | 56 | TWC-123556 |
| | | | | | 76 | TWC-123576 |
| 18 | 38 | 18 | 15 | 3 | 27 | TWC-183027 |
| | | | | | 36 | TWC-183036 |
| | | | | | 46 | TWC-183046 |
| | | | | | 56 | TWC-183056 |
| | | | | | 76 | TWC-183076 |
| | | | | | 96 | TWC-183096 |
| | | | | | 116 | TWC-1830116 |
| | | | | 4 | 27 | TWC-184027 |
| | | | | | 36 | TWC-184036 |
| | | | | | 46 | TWC-184046 |
| | | | | | 56 | TWC-184056 |
| | | | | | 76 | TWC-184076 |
| | | | | | 96 | TWC-184096 |
| | | | | | 116 | TWC-1840116 |