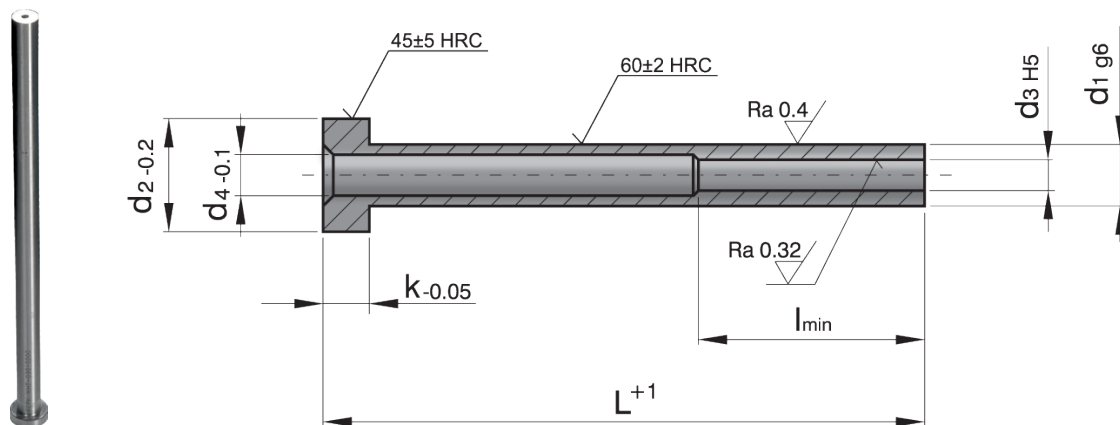


Wypychacz tulejowy hartowany

Ejector sleeve hardened

WHT

DIN 16756 / ISO 8405



Mat.: Stal narzędziowa Tool steel 250°C

d3	d1	d2	k	d4	lmin	L					
						60	75	100	125	150	
2,0	4	8	3	2,5	35	WHT-02004060	WHT-02004075	WHT-02004100	WHT-02004125	WHT-02004150	
2,2						WHT-02204060	WHT-02204075	WHT-02204100	WHT-02204125	WHT-02204150	
2,5							WHT-02504125	WHT-02504150			
2,5	5	10		3,0		WHT-02505060	WHT-02505075	WHT-02505100	WHT-02505125	WHT-02505150	
2,7				WHT-02705060		WHT-02705075	WHT-02705100	WHT-02705125	WHT-02705150		
3,0				3,5		WHT-03005060	WHT-03005075	WHT-03005100	WHT-03005125	WHT-03005150	
3,2			3,8	WHT-03205060	WHT-03205075	WHT-03205100	WHT-03205125	WHT-03205150			
3,5				WHT-03505100	WHT-03505125						
3,5	6	12	5	4,0	45	WHT-03506060	WHT-03506075	WHT-03506100	WHT-03506125	WHT-03506150	
3,7						WHT-03706060	WHT-03706075	WHT-03706100	WHT-03706125	WHT-03706150	
4,0				WHT-04006060		WHT-04006075	WHT-04006100	WHT-04006125	WHT-04006150		
4,0	8	14		4,5		WHT-04208060	WHT-04208075	WHT-04208100	WHT-04208125	WHT-04208150	
4,2				WHT-04208060		WHT-04208075	WHT-04208100	WHT-04208125	WHT-04208150		
5,0				5,5		WHT-05008060	WHT-05008075	WHT-05008100	WHT-05008125	WHT-05008150	
5,2	10	16	7	5,5	50	WHT-05208060	WHT-05208075	WHT-05208100	WHT-05208125	WHT-05208150	
5,5						WHT-05508060	WHT-05508075	WHT-05508100	WHT-05508125	WHT-05508150	
6,0				6,5		WHT-06010060	WHT-06010075	WHT-06010100	WHT-06010125	WHT-06010150	
6,2				7,0		WHT-06210060	WHT-06210075	WHT-06210100	WHT-06210125	WHT-06210150	
6,5	7,5			WHT-06510075		WHT-06510100	WHT-06510125	WHT-06510150			
7,0				WHT-07010075		WHT-07010100	WHT-07010125				
8,0	12	20	7	8,5	50	WHT-08012060	WHT-08012075	WHT-08012100	WHT-08012125	WHT-08012150	
8,2						WHT-08212060	WHT-08212075	WHT-08212100	WHT-08212125	WHT-08212150	
8,5							WHT-08512100	WHT-08512125			
10,0	14	22		10,5		50		WHT-10014075	WHT-10014100	WHT-10014125	WHT-10014150
10,5								WHT-10514075	WHT-10514100	WHT-10514125	WHT-10514150
11,0								WHT-11014100	WHT-11014125	WHT-11014150	
12,0					WHT-12016075		WHT-12016100	WHT-12016125	WHT-12016150		
12,5	16			WHT-12516075	WHT-12516100		WHT-12516125	WHT-12516150			

Wypychacz tulejowy hartowany

Ejector sleeve hardened

WHT

d3	d1	d2	k	d4	l _{min}	L					
						175	200	225	250		
2,0	4	8	3	2,5	35	WHT-02004175	WHT-02004200	WHT-02004225	WHT-02004250		
2,2						WHT-02204175	WHT-02204200	WHT-02204225	WHT-02204250		
2,5	5	10		3,0		WHT-02505175	WHT-02505200	WHT-02505225	WHT-02505250		
2,7						WHT-02705175	WHT-02705200	WHT-02705225	WHT-02705250		
3,0				3,5		WHT-03005175	WHT-03005200	WHT-03005225	WHT-03005250		
3,2						WHT-03205175	WHT-03205200	WHT-03205225	WHT-03205250		
3,5	6	12	4,0	WHT-03506175	WHT-03506200	WHT-03506225	WHT-03506250				
3,7				WHT-03706175	WHT-03706200	WHT-03706225					
4,0	8	14	5	4,5	45	WHT-04006175	WHT-04006200	WHT-04006225	WHT-04006250		
4,0						WHT-04008175	WHT-04008200	WHT-04008225	WHT-04008250		
4,2				WHT-04208175		WHT-04208200	WHT-04208225	WHT-04208250			
5,0				10		16	5,5	WHT-05008175	WHT-05008200	WHT-05008225	WHT-05008250
5,2								WHT-05208175	WHT-05208200	WHT-05208225	WHT-05208250
5,5							5,8	WHT-05508175	WHT-05508200	WHT-05508225	WHT-05508250
6,0	WHT-06010175	WHT-06010200						WHT-06010225	WHT-06010250		
6,2	12	20		7		6,5	WHT-06210175	WHT-06210200	WHT-06210225	WHT-06210250	
6,5							WHT-06510175	WHT-06510200	WHT-06510225		
7,0							WHT-07010200	WHT-07010225	WHT-07010250		
8,0	14	22				8,5	WHT-08012175	WHT-08012200	WHT-08012225	WHT-08012250	
8,2							WHT-08212175	WHT-08212200	WHT-08212225	WHT-08212250	
8,5	16				9,0		WHT-08512200				
10,0				10,5	50	10,5	WHT-10014175	WHT-10014200	WHT-10014225	WHT-10014250	
10,5						WHT-10514175	WHT-10514200	WHT-10514225	WHT-10514250		
11,0						WHT-11014175	WHT-11014200	WHT-11014225			
12,0						WHT-12016175	WHT-12016200	WHT-12016225	WHT-12016250		
12,5				WHT-12516175	WHT-12516200	WHT-12516225	WHT-12516250				

d3	d1	d2	k	d4	l _{min}	L			
						275	300	325	350
2,5	5	10	3	3,0	35	WHT-02505275			
2,7						WHT-02705275			
3,0				3,5		WHT-03005275	WHT-03005300		
3,2						WHT-03205275	WHT-03205300		
3,5	6	12	5	4,0	45	WHT-03506275	WHT-03506300		
4,0						WHT-04006275	WHT-04006300		
4,2	8	14		4,5		WHT-04208275			
5,0						WHT-05008275	WHT-05008300	WHT-05008325	
5,2				5,5		WHT-05208275	WHT-05208300	WHT-05208325	
5,5						WHT-05508275			
6,0	10	16	6,5	WHT-06010275	WHT-06010300	WHT-06010325			
6,2				WHT-06210275					
8,0	12	20	7	8,5	WHT-08012275	WHT-08012300			
8,2					WHT-08212275				
10,0	14	22		10,5	50	WHT-10014275	WHT-10014300	WHT-10014325	
12,0	16	12,5		WHT-12016275					

Uwaga. Inne wymiary na zapytanie
Note. Other dimensions on request.