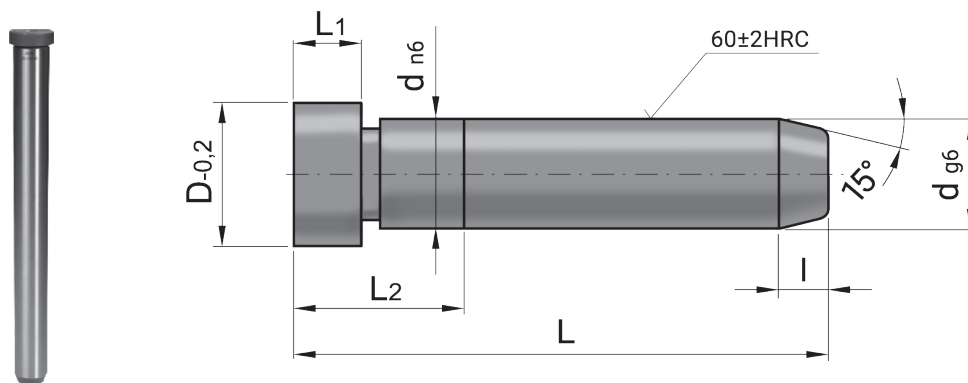


**Słup skośny**

Angle pin

**SS**



I	D	L1	L2	d	L	NR KAT.
4	12	3	12	9	40	SS-09040
					60	SS-09060
					80	SS-09080
					100	SS-09100
					120	SS-09120
				10	40	SS-10040
					60	SS-10060
					80	SS-10080
					100	SS-10100
					120	SS-10120
7	16	6	17	12	40	SS-12040
					60	SS-12060
					80	SS-12080
					100	SS-12100
					120	SS-12120
				14	60	SS-14060
					80	SS-14080
					100	SS-14100
					120	SS-14120
					140	SS-14140
	18	8	22	15	160	SS-15160
					180	SS-15180
					60	SS-15060
					80	SS-15080
					100	SS-15100
		20	16	120	SS-16120	
				140	SS-16140	
				160	SS-16160	
				180	SS-16180	
				200	SS-16200	

## Słup skośny

Angle pin

# SS

I	D	L1	L2	d	L	NR KAT.
7	22	8	22	18	60	SS-18060
					80	SS-18080
					100	SS-18100
					120	SS-18120
					140	SS-18140
					160	SS-18160
					180	SS-18180
					200	SS-18200
	24	8	22	20	240	SS-18240
					60	SS-20060
					80	SS-20080
					100	SS-20100
					120	SS-20120
					140	SS-20140
					160	SS-20160
					180	SS-20180
	26	8	27	22	200	SS-20200
					240	SS-20240
					80	SS-22080
					100	SS-22100
					120	SS-22120
					140	SS-22140
					160	SS-22160
					180	SS-22180
					200	SS-22200
					220	SS-22220
					240	SS-22240
					28	8
	80	SS-24080				
	100	SS-24100				
	120	SS-24120				
	140	SS-24140				
	160	SS-24160				
	180	SS-24180				
	200	SS-24200				
	220	SS-24220				
240	SS-24240					
36	15	36	30	300	SS-24300	
				100	SS-30100	
				120	SS-30120	
				160	SS-30160	
				200	SS-30200	
				240	SS-30240	
36	15	36	32	300	SS-30300	
				360	SS-30360	
				100	SS-32100	
				120	SS-32120	
				160	SS-32160	
				200	SS-32200	
48	10	46	40	240	SS-32240	
				300	SS-32300	
				360	SS-32360	
				160	SS-40160	
				200	SS-40200	
				240	SS-40240	
58	15	46	50	300	SS-40300	
				360	SS-40360	
				160	SS-50160	
				200	SS-50200	
				240	SS-50240	
				300	SS-50300	
					360	SS-50360