



- Subject to modifications -



Illustration shows example

Level switch KFA-A

- max. three bistable switching points for level monitoring
- One switching point for temperature monitoring
- Simple installation
- Small size
- PUR float

Application:

Monitoring of levels and temperatures of liquids.

Function - level switch:

When the level decreases and the float reaches the switching points, the contacts will be actuated magnetically. The switching positions of the contacts are maintained until the float moves over them again by virtue of the raising level.

Example NC contact:

Level

under the switching point: Contact open
 over the switching point: Contact closed

Function - thermostat:

A bimetal disc which can be influenced by temperature is switching as soon as the adjusted switching temperature is reached. Thermostates with various switching temperatures and voltages are available (see order designation).

Technical data general:

Operating pressure:	max. 1 bar
Ambient temperature:	-20 ... +80 °C
Medium temperature:	0 ... 90 °C
Medium density:	>0,7 g/cm ³
Mounting position:	vertical ±10°
Material	
Tube and thermostat:	Brass
Float:	Polyurethane foam
Flange:	Brass
Sealing:	FPM
Protection class:	DIN EN 60529 IP65
Male:	See order designation
Weight at L=300:	0,16 kg

This float is suited for mineral oils and water. If it is to be used with other media, user should check the float's compatibility, if necessary.

For operation in inherently safe electric systems see data sheet A0905.

Technical data Reed contact:

Switching voltage at male Z3/Z6A:	max. 250 VUC
male Z5/Z8:	max. 30 VDC
Switching current:	max. 0,5A
Switching power:	max. 30 W/VA

For inductive an capacitive loads, suppressor circuits shall be provided for. (Diode, RC element, varistor)

Technical data thermostat B 30 VDC:

Switching voltage:	max. 30 VDC
Switching current:	max. 2A
Tolerance of rated temperature:	±4 K
Switching hysteresis:	approx. 2 K
Temperature changing speed:	max. 1 K/min

Technical data thermostat C 250 VUC:

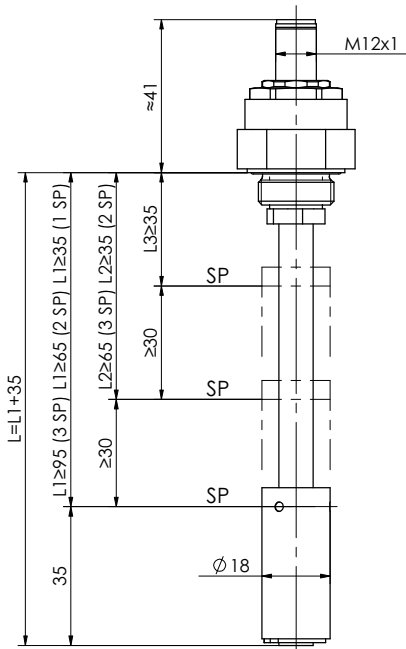
Switching voltage:	max. 250 VUC
Switching current:	max. 2A
Tolerance of rated temperature:	±5 K
Switching hysteresis:	2 ... 10 K
Temperature changing speed:	max. 1 K/min



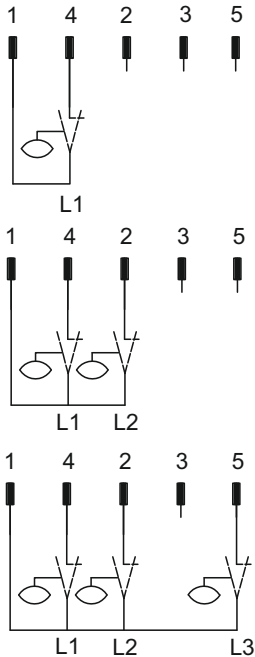
Version 30 VDC

Male Z5N, M12x1, 5-pin

1 ... 3 Level switching contacts



SP = Switch point



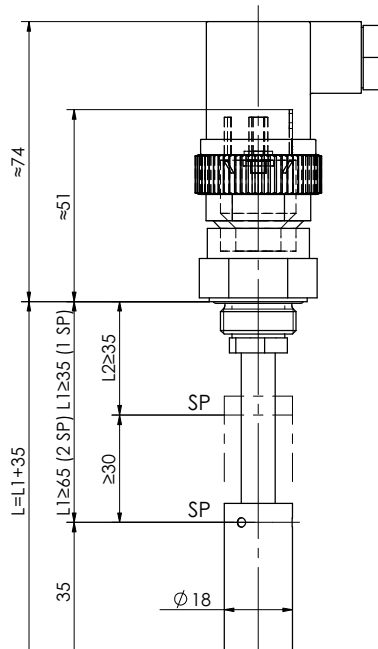
L1 = NC or NO contact
 L2 = NC or NO contact
 L3 = NC or NO contact
 Pin adapter 913.405-85 for retrofitting, on request.

Level switch

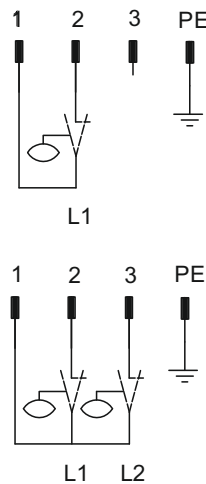
Version 250 VUC

Male Z3N, DIN EN 175301-803, shape A, 3-pin + PE

1 ... 2 Level switching contacts



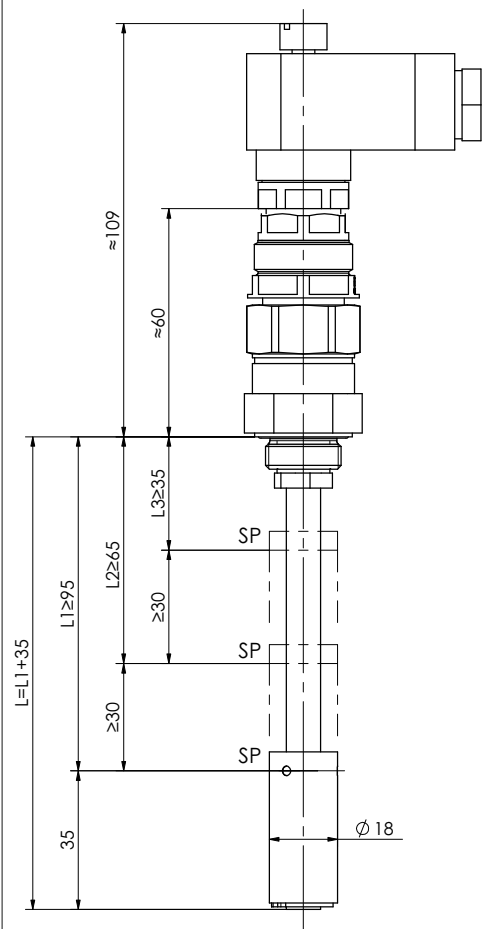
SP = Switch point



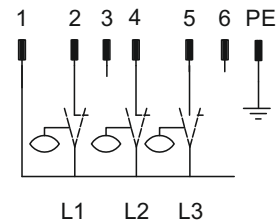
L1 = NC or NO contact
 L2 = NC or NO contact

Male Z6AN, DIN EN 175201-804, 6-pin + PE

3 Level switching contacts



SP = Switch point



L1 = NC or NO contact
 L2 = NC or NO contact
 L3 = NC or NO contact

- Subject to modifications -

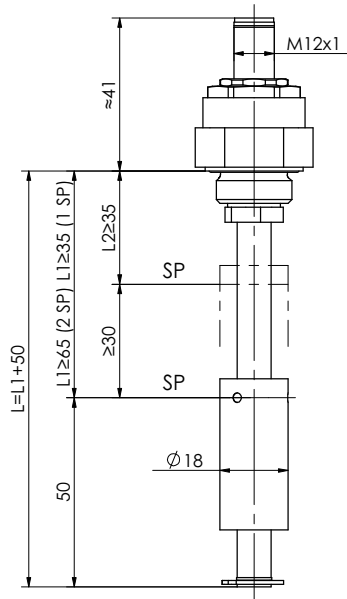


Level - temperature switch

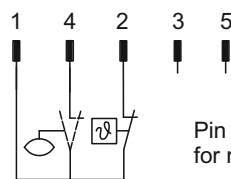
Version 30 VDC

Male Z5N
M12x1, 5-pin

1 ... 2 Level switching contacts
1 Temperature switching contact

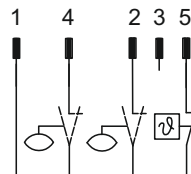


SP = Switch point



Pin adapter 913.405-85
for retrofitting on request.

L1 ∅

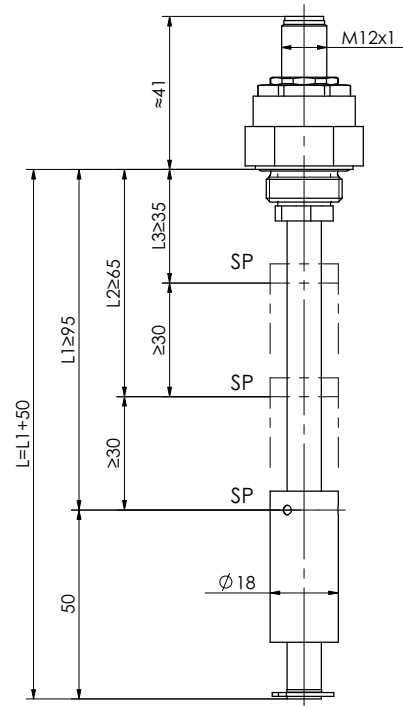


L1 L2 ∅

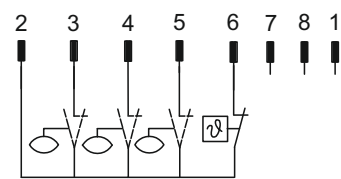
L1 = NC or NO contact
L2 = NC or NO contact
∅ = Temperature NC contact

Male Z8N
M12x1, 8-pin

3 Level switching contacts
1 Temperature switching contact



SP = Switch point



L1 L2 L3 ∅

L1 = NC or NO contact
L2 = NC or NO contact
∅ = Temperature NC contact (option)

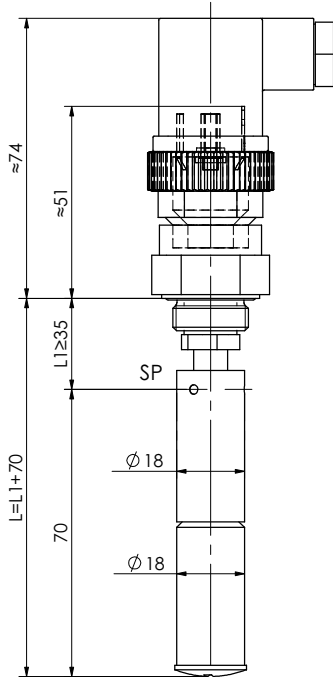
- Subject to modifications -

Level - temperature switch

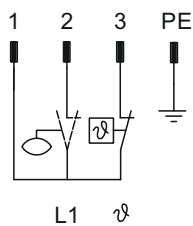
Version 250 VUC

Male Z3N
DIN EN 175301-803, shape A
3-pin + PE

1 Level switching contact
1 Temperature switching contact



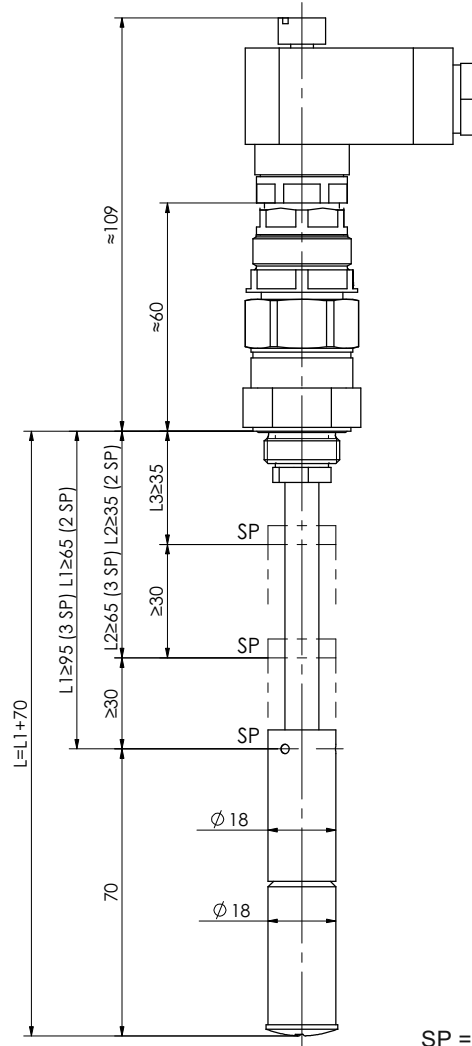
SP = Switch point



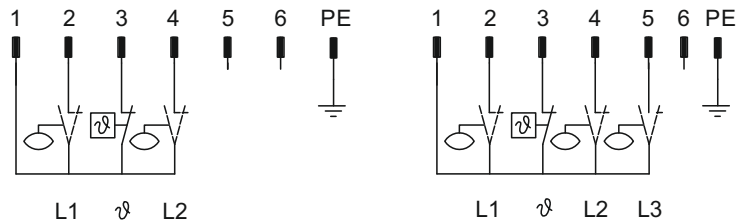
L1 = NC or NO contact
⊗ = Temperature NC contact

Male Z6AN
DIN EN 175201-804,
6-pin + PE

2 ... 3 Level switching contacts
1 Temperature switching contact

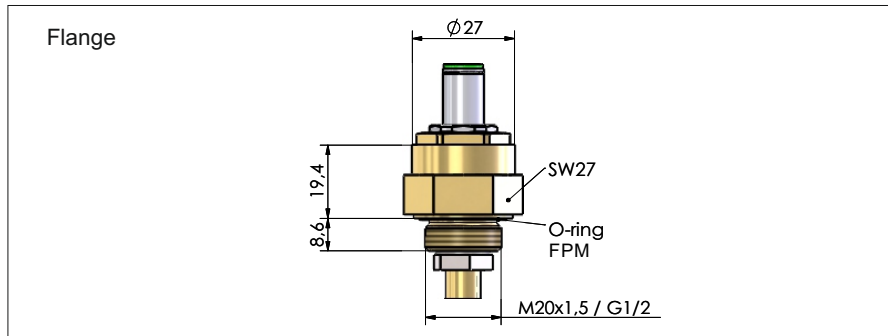


SP = Switch point

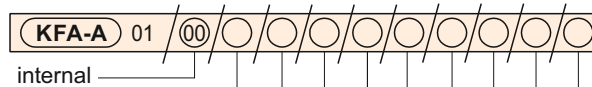


L1 = NC or NO contact
L2 = NC or NO contact
L3 = NC or NO contact
⊗ = Temperature NC contact (option)

- Subject to modifications -



Order designation:



- Subject to modifications -

Flange	Switching functions				Thermostat	Male without / with cable jack	Length		
	L1 Switch point bottom level decreasing	L2 Switch point middle / top level decreasing	L3 Switch point top level decreasing				* L1 mm	* L2 mm	* L3 mm
M20x1,5 (F)	NC contact (O) NO contact (S) without (N)	NC contact (O) NO contact (S) without (N)	NC contact (O) NO contact (S) without (N)		NC contact 30 V 56 °C (056B) NC contact 30 V 63 °C (063B) NC contact 30 V 70 °C (070B) NC contact 30 V 80 °C (080B) without (N)	up to 3 switch functions 30 V , M12x1, 5-pin without cable jack (Z5N)	specify when specifying when ordering, please	* if there is no switching point existing: L1 ≥ L	- The switching dimensions refer to a density of 1 g/cm³
	NC contact (O) NO contact (S)	NC contact (O) NO contact (S)	NC contact (O) NO contact (S)		NC contact 30 V 56 °C (056B) NC contact 30 V 63 °C (063B) NC contact 30 V 70 °C (070B) NC contact 30 V 80 °C (080B)	4 switch functions 30 V M12x1, 8-pin without cable jack (Z8N)			
G 1/2 (G)	NC contact (O) NO contact (S) without (N)	NC contact (O) NO contact (S) without (N)	NC contact (O) without (N)		NC contact 250 V 56 °C (056C) NC contact 250 V 63 °C (063C) NC contact 250 V 70 °C (070C) NC contact 250 V 80 °C (080C) without (N)	up to 2 switch functions 250 V 3-pin + PE without cable jack (Z3N) with cable jack (Z3)			
	NC contact (O) NO contact (S)	NC contact (O) NO contact (S)	NC contact (O) NO contact (S) without (N)		NC contact 250 V 56 °C (056C) NC contact 250 V 63 °C (063C) NC contact 250 V 70 °C (070C) NC contact 250 V 80 °C (080C) without (N)	3 to 4 switch functions 250 V 6-pin + PE without cable jack (Z6AN) with cable jack (Z6A)			
<p>Note: The connectors Z3/Z3N can only be selected for up to two switching functions, Z5N only for up to three switching functions, Z8N only for up to 4 switching functions and Z6A/Z6AN only for three or four switching functions.</p>									

Important information about this data sheet

Reproduction, also in extracts, only permitted with the approval of the firm of EUGEN WOERNER GmbH & Co. KG.

All the information in this data sheet has been examined for correctness with great care. Nevertheless, WOERNER cannot assume any liability for losses or damage resulting directly or indirectly from the application of the information contained in this data sheet.

All products from WOERNER may only be used as intended and corresponding to the information in this data sheet.

For products supplied with operating instructions, the additional directives and information contained in them are to be complied with.

Materials deviating from those mentioned in this data sheet and the technical documents which further apply may only be poured into and processed in the appliances and systems manufactured and supplied by WOERNER by following agreement with and written approval by WOERNER.

The safety and danger information stated in the safety data sheets of the substances used must be taken into account at all costs.

Transportation of gases, liquefied gases, gases under pressure, vapours and liquids, the vapour pressure of which is more than 0,5 bar above normal atmospheric pressure (1013 mbar) at the maximum admissible temperature, of easy inflammable or explosive media as well as transportation of foodstuffs is forbidden.

Information on EU Directive 2011/65/EU (RoHS)

In its controls and switching devices, WOERNER only uses materials which fulfil the criteria of EU Directive 2011/65/EU. To the extent that hexavalent chromium has been used as corrosion protection in the parts which we produce ourselves, it has already been replaced by other environmentally tolerable protective measures.

The mechanical devices supplied by WOERNER are not affected by EU Directive 2011/65/EU.

But as WOERNER is conscious of its responsibility towards the environment, we shall also use materials fulfilling the requirements of the Directive for devices not covered by EU Directive 2011/65/EU as soon as they are generally available and their use is technically possible.