



Ex eb IIC Gb; Ex tb IIIC Db; IP 66 | TYPE 4, 4X, 12



The stainless steel terminal box enclosure range, EXE, with ATEX and IECEx certifications, is available off the shelf in five different sizes that accommodate the majority of common applications. ZONEX enclosures deliver a robust solution for termination and junction enclosure applications in potentially hazardous locations, including petroleum and chemical processing, water treatment processing, pharmaceutical processing, and grain processing.; ZONEX enclosures are designed and certified to meet ATEX Directive 94/9/EC as well as IECEx standards for increased safety in housing electrical components in Zone 1 and Zone 2 applications.

Description: Material:Fabricated from Type 316L stainless steel. Body: 1.5 mm. Cover: 1.5 mm. Mounting plate: 2.0 mm galvanized steel.

Heating element: Leak compensation:Continuous flow:Switch capacity:Gasket:Operating temperature:Connection:Type of connection:Flammability:Body:M6 brass internal/external bonding provision. Full-width welded wall-mounting brackets on top and bottom. Internal weld studs for panel or DIN rail mounting brackets.

Cover: One piece continuous seal polyurethane gasket, operating range -40 to +70 °C. Type 316L stainless steel cover screws. M6 inner grounding stud. Optional silicone gasket with operating range -55 to +180 °C.

Door: Lock:Mounting plate:Cable access:Protection:IP 66 | TYPE 4, 4X, 12.

Finish: 320 grain brushed finish.

Approvals: ATEX Directive 2014/34/EU. ATEX: Sira 09ATEX3224U; 2813 Ex II 2 G D; Ex e IIC Gb; Ex tb IIIC Db IP 66; EN 60079-0; EN 60079-7; EN 60079-31. IECEx: IECEx SIR 09.0099U; Ex eb IIC Gb; Ex tb IIIC Db IP 66; IEC 60079-0; IEC 60079-7; IEC 60079-31.

Delivery: Enclosure with cover, cover screws, mounting plate and mounting accessories.

Scope of delivery: Requirements:Mounting:Pack quantity>Note:nVent HOFFMAN ATEX Ex e enclosures are not intended for use in explosion-proof or flame-proof applications.

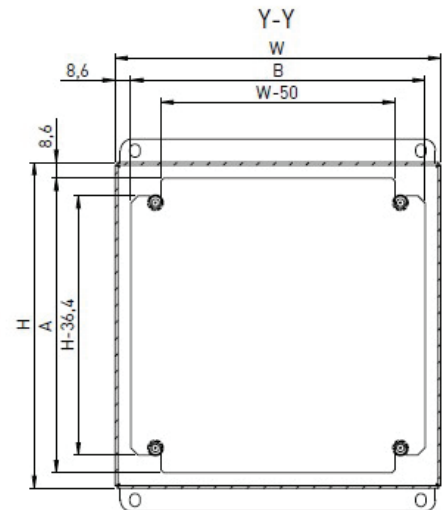
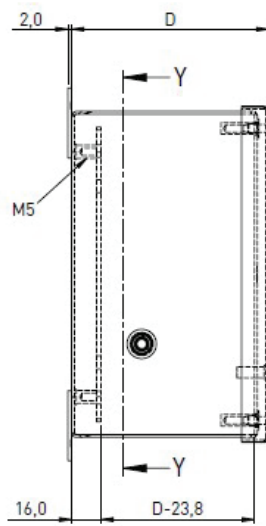
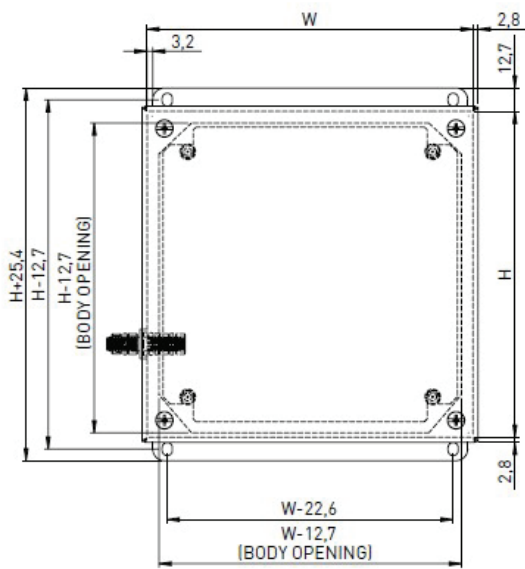
EXE-SB

ZONEX, Stainless Steel Terminal Box



HOFFMAN

CONNECT AND PROTECT



EXE-SB

ZONEX, Stainless Steel Terminal Box



HOFFMAN

CONNECT AND PROTECT

H	W	D	Mounting Plate Height	Mounting Plate Width	Item no.
102	102	76	85	85	EXE101008SS6E
152	152	102	135	135	EXE151510SS6E
178	178	102	161	161	EXE181810SS6E
216	146	127	199	129	EXE221513SS6E
254	254	127	237	237	EXE252513SS6E

EXE-SB

ZONEX, Stainless Steel Terminal Box