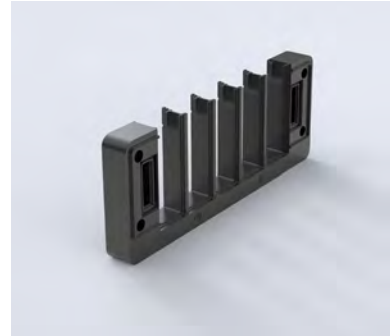


Cable Management

Cable Entry Gland Plates

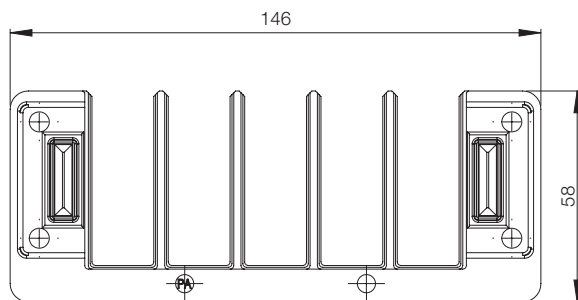
Connected cable entry gland plate, CCF

- Description:** Plastic cable entry for a fast, economical and tool-free incoming of cables fitted with connectors, inside the enclosure. Integrated seal. For snap-in fastening (only for wall thicknesses ranging between 1.4 and 2 mm) and/or screwing. Installation height: 14 mm. It has ten openings to be covered with ten CCG cable entry grommets. If it's not necessary to use all the grommets with cables, a dummy grommet is to be used in order to maintain the IP rating.
- Material:** Polyamide, halogen free.
- Temperature resistance:** -40°C to +140°C.
- Flammability:** V-0 according to UL94.
- Finish:** Black.
- Protection:** IP 54 with suitable grommets and cables.
- Pack quantity:** 1 piece.

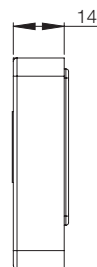


Openings	Item no.
10	CCF2410

Front view



Side view



Cut-out

