

Thermal Management

Air-Water heat exchangers Range

Vertical | PWS

IP 55

**Description:**

For vertical installation. Additional work is not required to the cutout to guarantee the IP. Integrated thermostat and solenoid valve for temperature control, and temperature monitoring with alarm contact. The thermostat is adjustable between 8°C and 50°C, factory setting 35°C. Maximum permissible operating pressure of 10 bar. The cooling capacity for specific conditions are indicated in the diagrams. Water inlet temperature between 1°C up to 35°C.

Type of connection:

Spring-type terminal included with plug for electrical connection, 13 mm hose nozzle for water pipe connections.

Material:

Housing made of galvanized steel powder coated. Heat exchanger made of copper pipe with aluminium fins.

Ambient temperature range:

1°C to +70°C.

Protection:

IP 55 towards the electrical enclosure.

Finish:

RAL 7035.

Approvals:

CE, GOST.

Pack quantity:

One unit.



IP 55

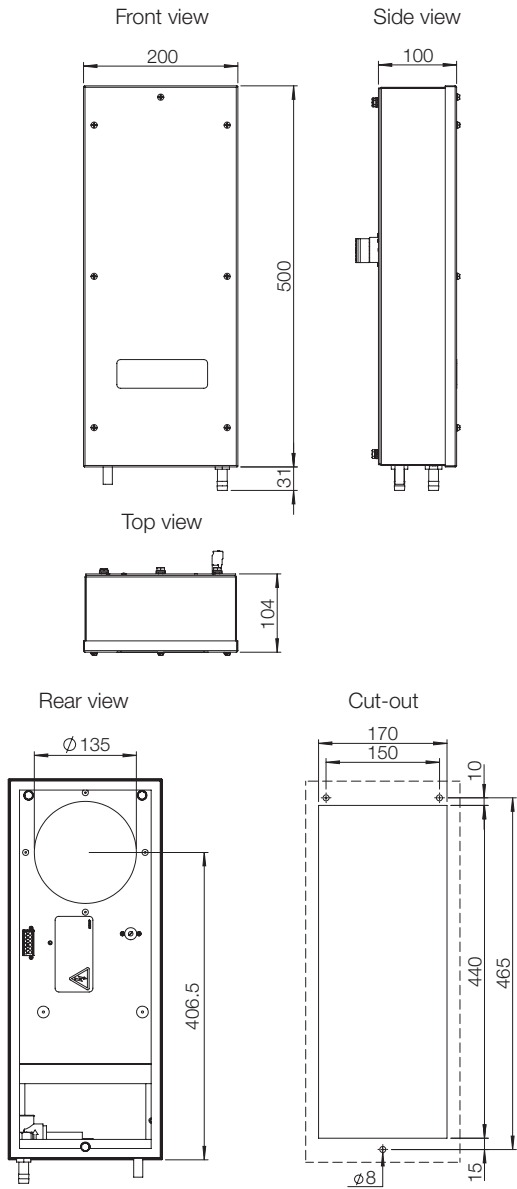
H	W	D	Cooling Capacity 200 l/h - W10/A35 (W)	Power W10/A35 (W)	Current W10/A35 (A)	Pre fuse T (A)	Item no.
500	200	100	600	68 / 70	0.35 / 0.38	4	PWS7062R5
500	200	150	950	82 / 84	0.35 / 0.40	4	PWS7102R5
950	400	115	1500	125 / 182	0.55 / 0.75	4	PWS7152R5
950	400	190	3150	295 / 385	1.30 / 1.70	6	PWS7332R5

Starting current W10/A35 (A)	Unimpeded airflow (m³/h)	Noise (dB)	Frequency	Weight (kg)	Item no.
1.50 / 1.80	440	≤48	50 / 60	6.65	PWS7062R5
1.70 / 1.95	570	≤48	50 / 60	8.33	PWS7102R5
2.00 / 2.00	850	53	50 / 60	23.33	PWS7152R5
5.80 / 6.60	1670	54	50 / 60	25.56	PWS7332R5

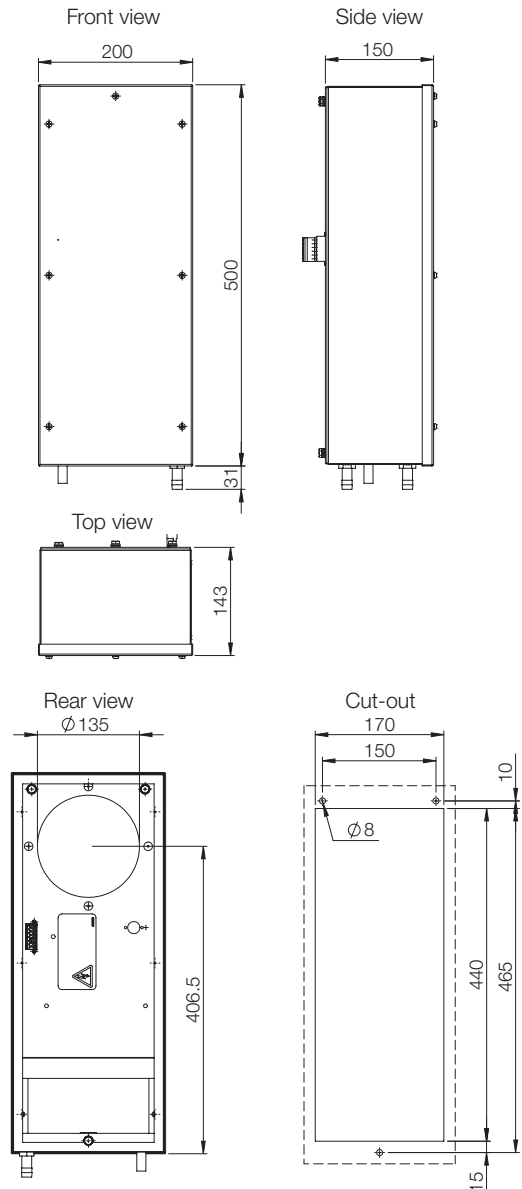


Dimensional drawing | PWS

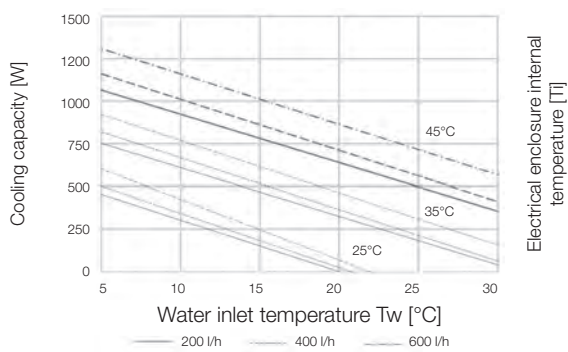
PWS7062R5



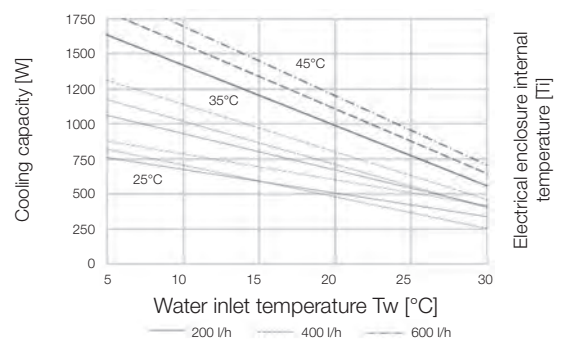
PWS7102R5



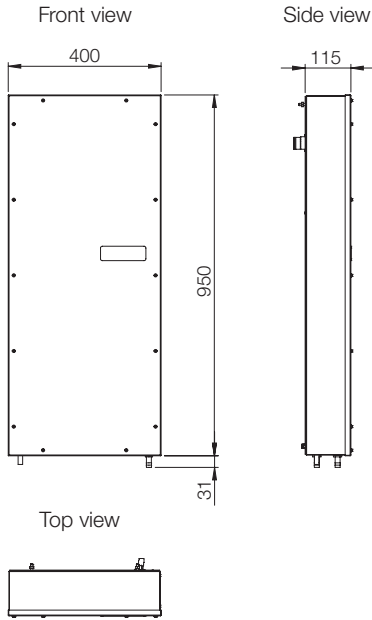
Performance



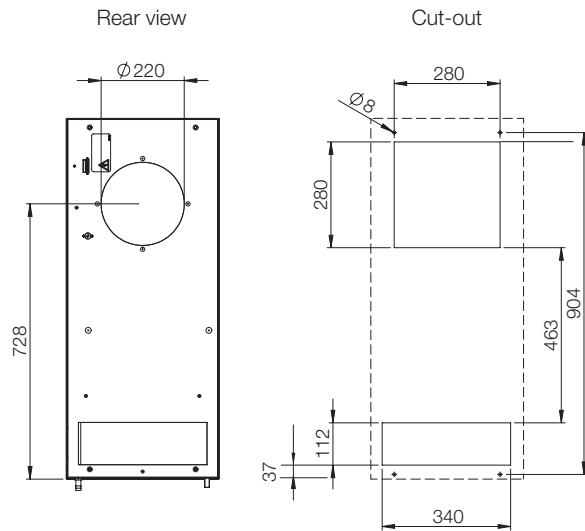
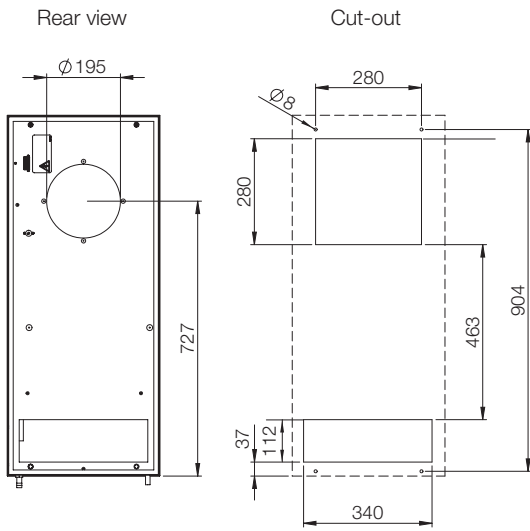
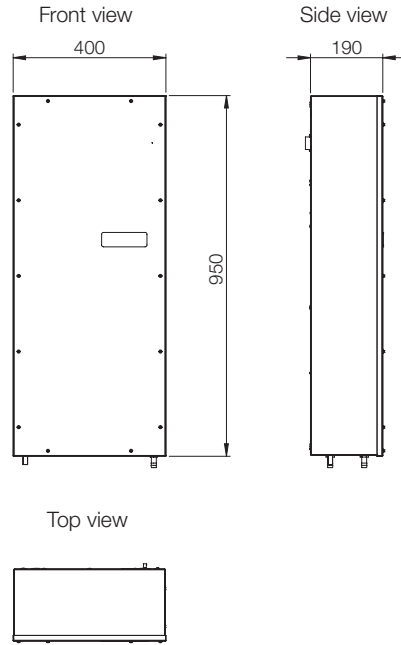
Performance



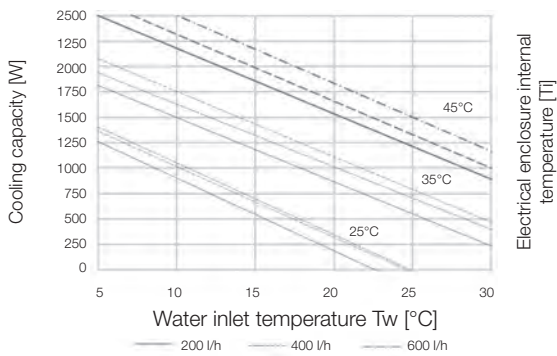
PWS7152R5



PWS7332R5



Performance



Performance

