

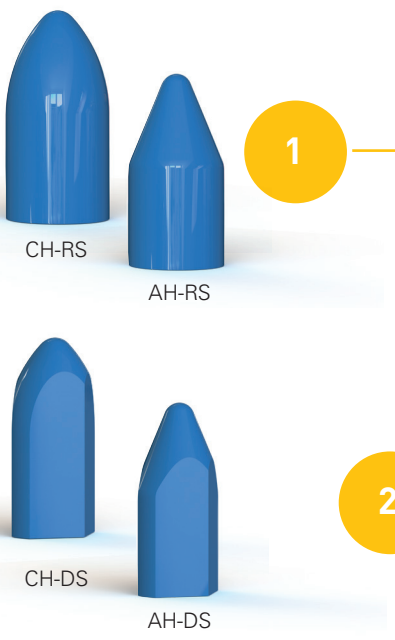


# A STRONG SOLUTION: DOCERAM STANDARD FOR LOCATING PINS

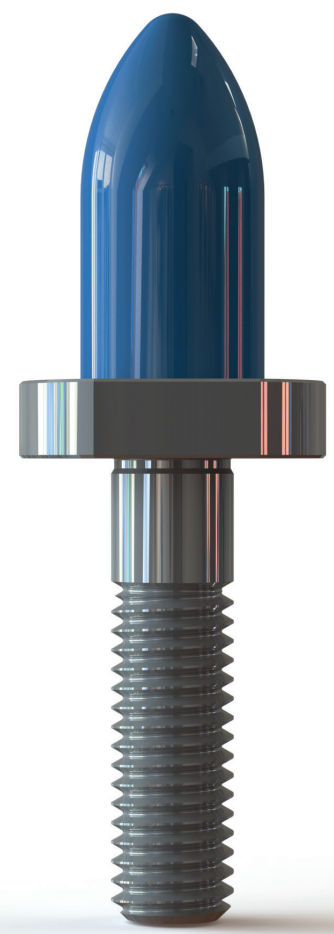
FASTER PROCESSING, BETTER DELIVERY TIMES

The new DOCERAM standard for locating pins meets the highest mechanical demands and offers quickly available combination possibilities for numerous requirements through a standardized modular system. The basis are standard components with four full-ceramic head geometries und three stainless steel shank variations, which guarantee a fast processing and shorter delivery times.

## QUALITY FROM HEAD TO TOE

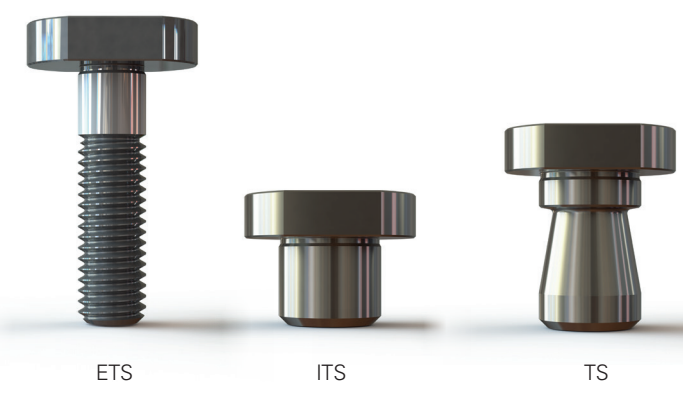


**FULL-CERAMIC HEAD:**  
 Choose the proper geometry for your full-ceramic head:  
 - **AH** (Angular Head) or  
 - **CH** (Circular Head)  
 Both geometries can be processed in the following shapes:  
 - **RS** (Round Shape, see 1) or  
 - **DS** (Diamond Shape, see 2)



Configuration example: CH-RS-12-24-ETS

**STAINLESS STEEL SHANK**  
 Suitable for your head geometry we offer the following shanks:  
 - **ETS** (External Threaded Shank)  
 - **ITS** (Internal Threaded Shank)  
 - **TS** (Tapered Shank)



## YOUR IDEAL SOLUTION

You don't need a technical drawing for your orders anymore - just choose the ideal locating pin in a few steps:

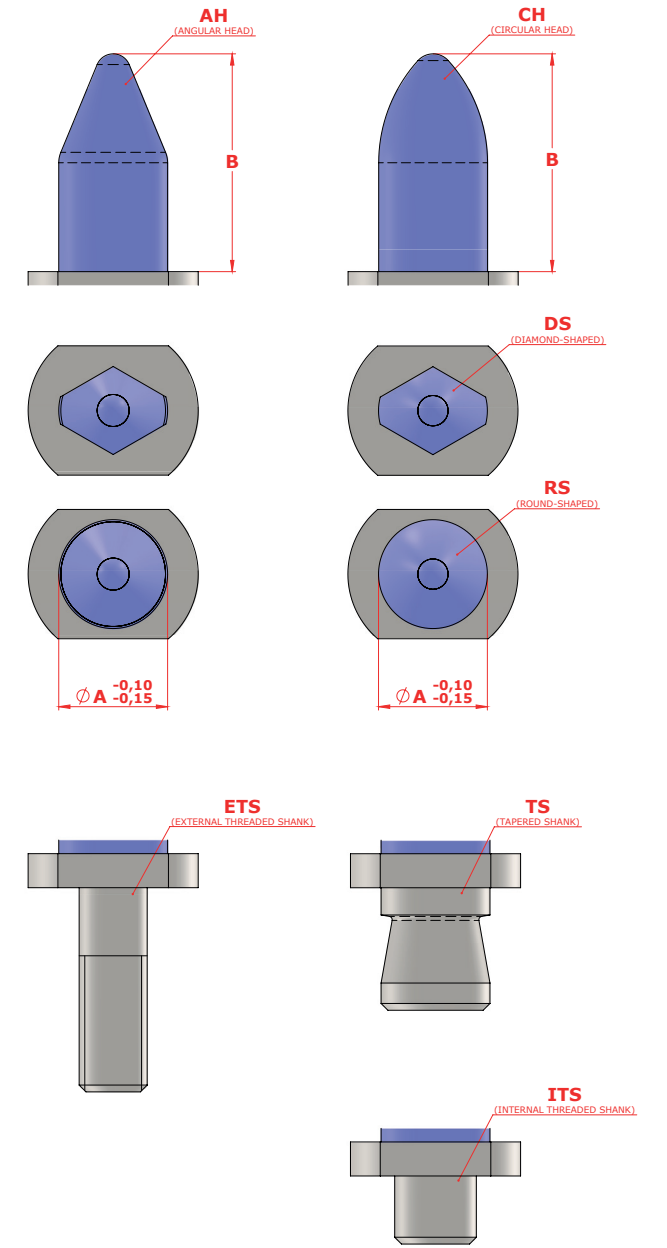
1. Choose the suitable ceramic head, specify the dimensions A and B and choose a stainless steel shank.
2. Specify your quantity.
3. Send us the ordering key (see below) via e-mail to **info@doceram.com**.
4. You will receive a non-binding offer at short notice.

Ordering Key				
Head	Shape	A	B	Shank
CH, AH	RS, DS	see table below „Configuration of Ceramics“		ETS, ITS, TS
Head-Shape-A-B-Shank, example CH-RS-12-24-ETS				

Configuration of Ceramics				
A	B			
8	16	24	32	40
9	18	27	36	45
10	20	30	40	50
11	22	33	44	55
12	24	36	48	60
13	26	39	52	65
14	28	42	56	70

A	B			
15	30	45	60	75
16	32	48	64	80
17	34	51	68	
18	36	54	72	
19	38	57	76	
20	40	60	80	
25	50	75		
30	60			

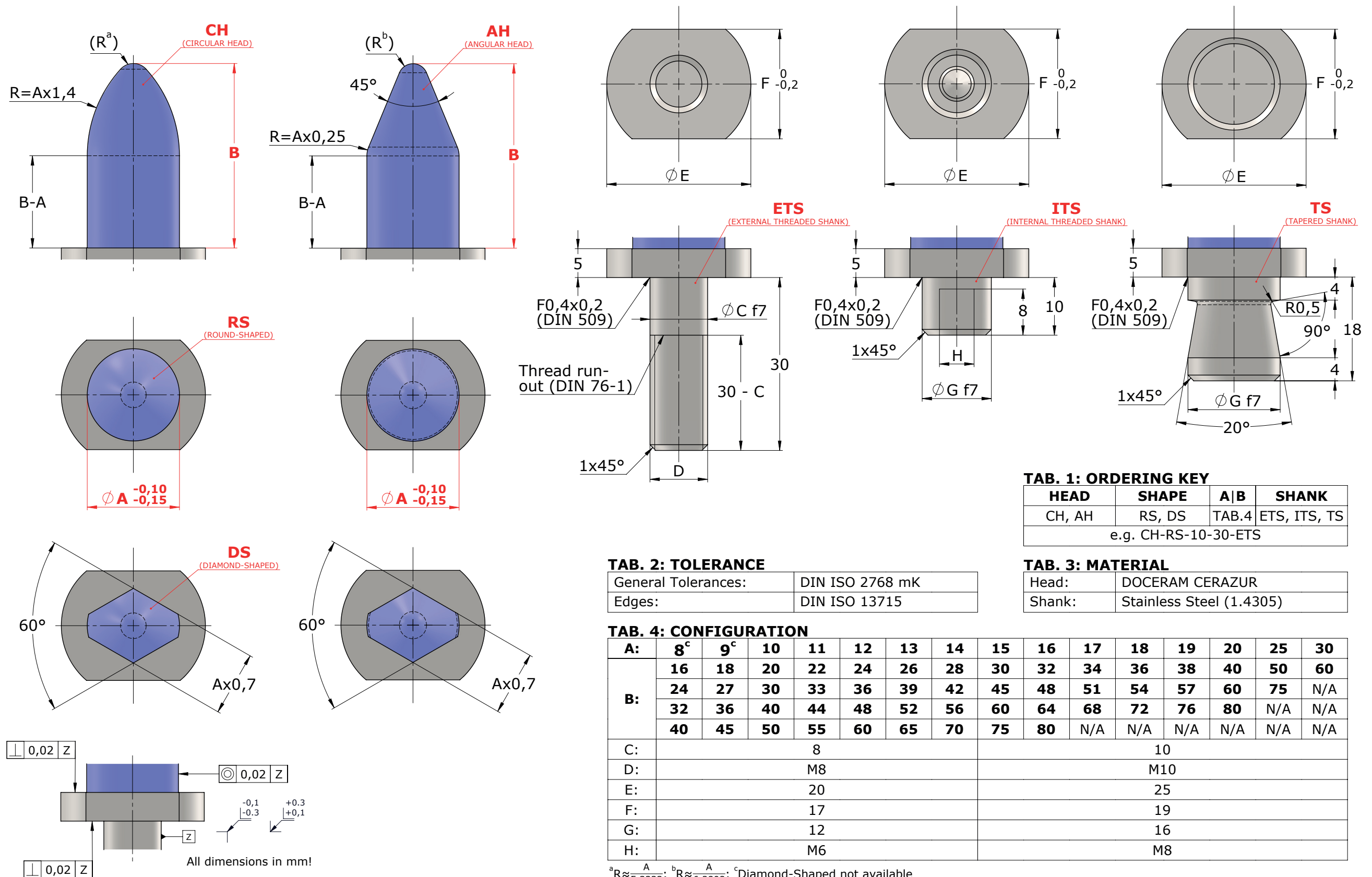
	Shank	A 8 - 14	A 15 - 30
Fit size	ETS	8	10
	ITS/TS	12	16
Thread	ETS	M8	M10
	ITS	M6	M8
Plate Diameter	all	20	25
Width across Flats	all	17	19



You can easily design and enquire your individually configured locating pins - additional to the shown standard variants - via our CAD-portal. Just scan the shown QR-code or visit [www.doceram.partcommunity.com](http://www.doceram.partcommunity.com)



# COMPANY STANDARD: TECHNICAL DIMENSIONS OF THE DOCERAM LOCATING PINS



**TAB. 1: ORDERING KEY**

HEAD	SHAPE	A B	SHANK
CH, AH	RS, DS	TAB.4	ETS, ITS, TS
e.g. CH-RS-10-30-ETS			

**TAB. 3: MATERIAL**

Head:	DOCERAM CERAZUR
Shank:	Stainless Steel (1.4305)

**TAB. 2: TOLERANCE**

General Tolerances:	DIN ISO 2768 mK
Edges:	DIN ISO 13715

**TAB. 4: CONFIGURATION**

A:	8 <sup>c</sup>	9 <sup>c</sup>	10	11	12	13	14	15	16	17	18	19	20	25	30	
B:	16	18	20	22	24	26	28	30	32	34	36	38	40	50	60	
	24	27	30	33	36	39	42	45	48	51	54	57	60	75	N/A	
	32	36	40	44	48	52	56	60	64	68	72	76	80	N/A	N/A	
	40	45	50	55	60	65	70	75	80	N/A	N/A	N/A	N/A	N/A	N/A	
C:	8								10							
D:	M8								M10							
E:	20								25							
F:	17								19							
G:	12								16							
H:	M6								M8							

<sup>a</sup> $R \approx \frac{A}{5,3333}$ ; <sup>b</sup> $R \approx \frac{A}{6,2808}$ ; <sup>c</sup>Diamond-Shaped not available



# DOCERAM

ADVANCED CERAMIC SOLUTIONS

