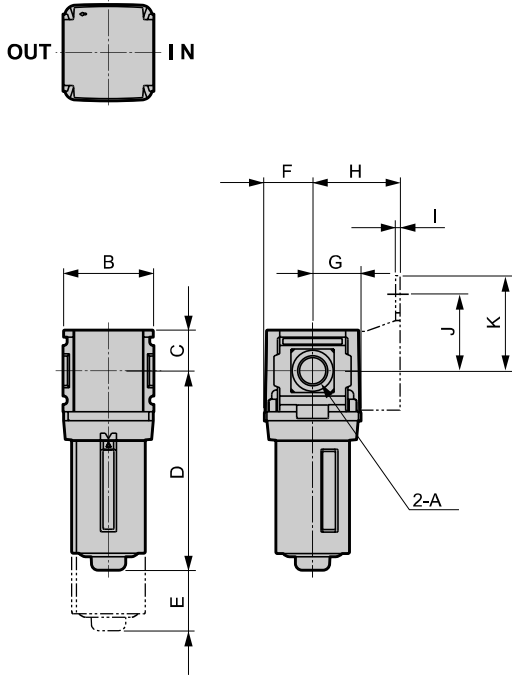


Dimensions

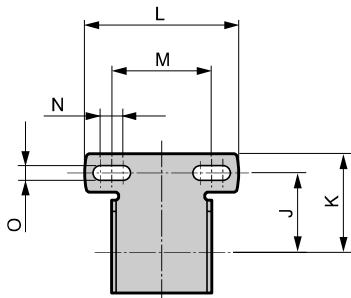


Refrigerating type dryer
Desiccant type dryer
High polymer membrane dryer
Air filter
Auto. drain / others
F.R.L. (Module unit)
F.R.L. (Separate)
Compact F.R.
Precise regulator
F.R.L. (Related products)
Clean F.R.
Electro pneumatic regulator
Air booster
Speed control valve
Silencer
Check valve / others
Joint / tube
Vacuum filter
Vacuum regulator
Suction plate
Magnetic spring buffer
Mechanical pressure SW
Electronic pressure SW
Contact / close contact cont. SW
Air sensor
Pressure SW for coolant
Small flow sensor
Small flow controller
Flow sensor for air
Flow sensor for water
Total air system
Total air system (Gamma)
Ending

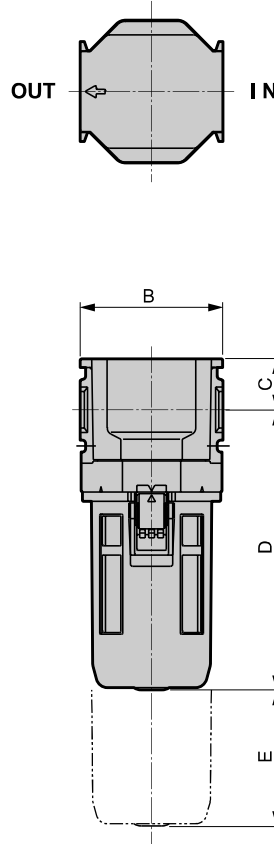
● VFA1000



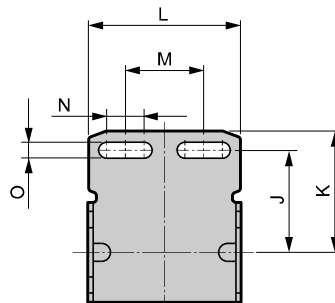
● C type bracket (attachment) Model no. B120 (VFA1000)



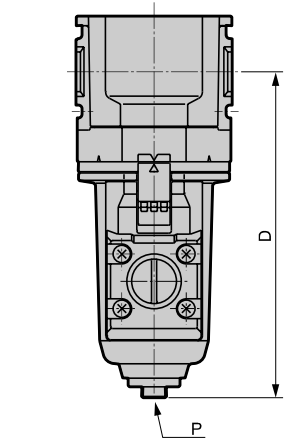
● VFA3000 ● VFA4000



● C type bracket (attachment) Model no. B320 (VFA3000) Model no. B420 (VFA4000)



● Aluminum alloy bowl (option) (Only VFA3000/VFA4000)



Model no.	D	P
VFA3000	129	Rc1/8
VFA4000	152	

Model no.	A	B	C	D	E	F	G	C type bracket dimension								
								H	I	J	K	L	M	N	O	
VFA1000	-6	Rc1/8	40	18	88	40	21.5	21.5	40	2	35	43.5	68	44	10	6.5
	-8	Rc1/4														
VFA3000	-8	Rc1/4	63	22.5	123.5	60	(34.5)	63	45	2.3	45	53.5	67	34.5	16.5	7
	-10	Rc3/8														
VFA4000	-10	Rc3/8	80	22.5	149	60	(42.5)	79	55	2.3	45	53.5	84	55	14	7
	-15	Rc1/2														