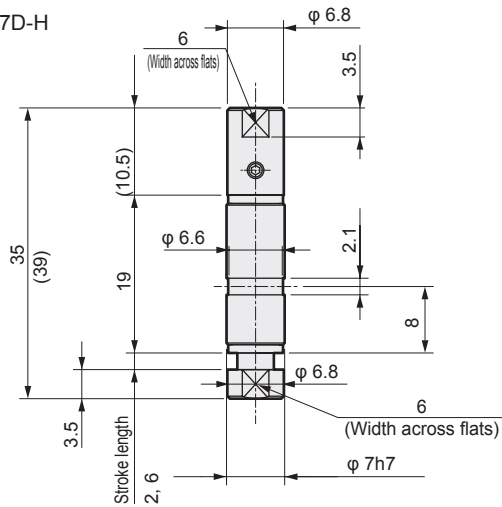


Dimensions (FBU2-7D, FBU2-8M)

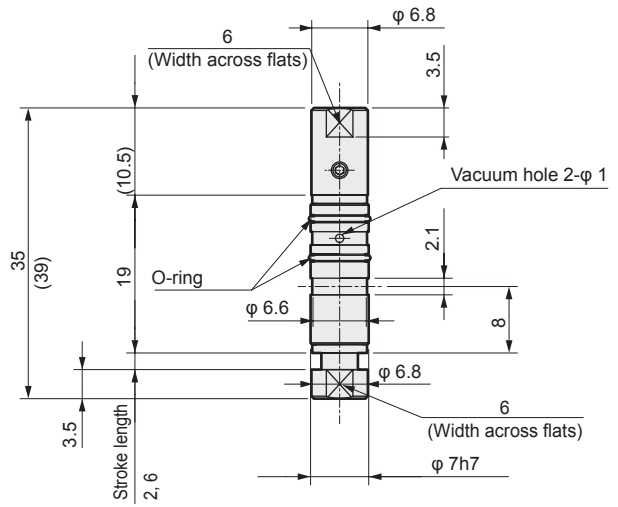


- FBU2-7D-S
- FBU2-7D-H



Note: Values in () are dimensions for the 6 strokes.

- FBU2-7D-HV



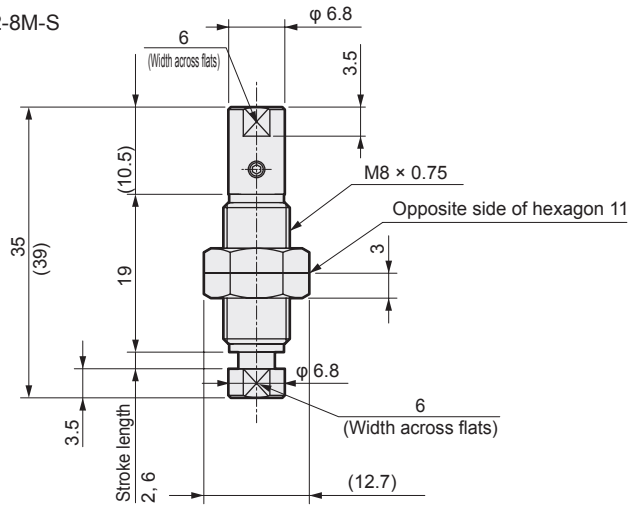
Note: Values in () are dimensions for the 6 strokes.

Note: The O-ring is shipped installed.

Apply a light coat of lubricant, such as grease, to the O-ring to maintain sealing.

Note: Drawing dimensions are the same regardless of head and tail shape.

- FBU2-8M-S



Note: Values in () are dimensions for the 6 strokes.

F.R.L. unit

Pneumatic auxiliary components

Air unit components

Precision components

Pressure sensor

Sensor/controller

Total air system

Main line unit

Ending

Glass float module

Precise suction plate

Magnetic spring buffer

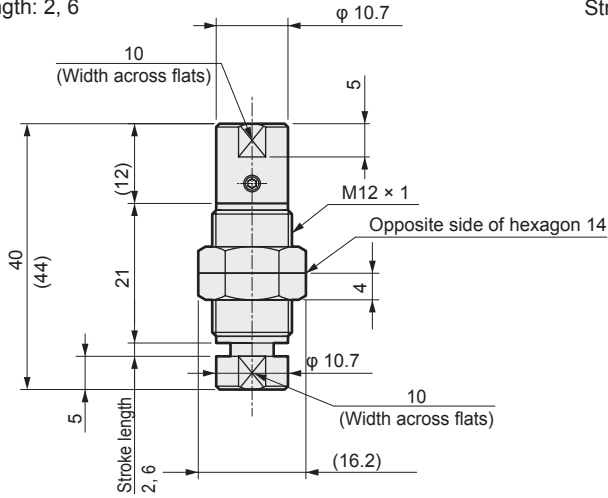
Dimensions (FBU2-12M, FBU2-12D)



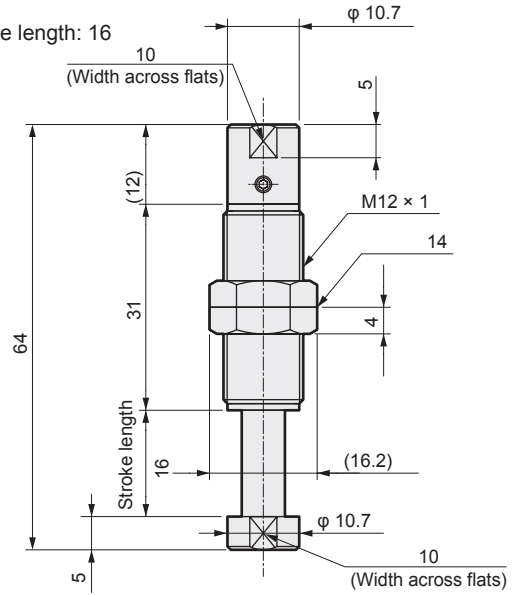
F.R.L. unit
Pneumatic auxiliary components
Air unit components
Precision components
Pressure sensor
Sensor/controller
Total air system
Main line unit
Ending

● FBU2-12M-S

Stroke length: 2, 6



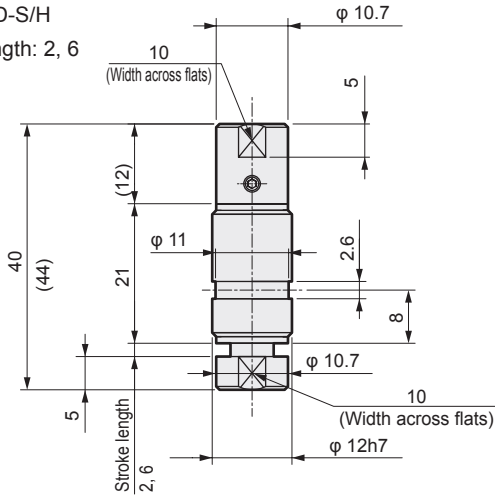
Stroke length: 16



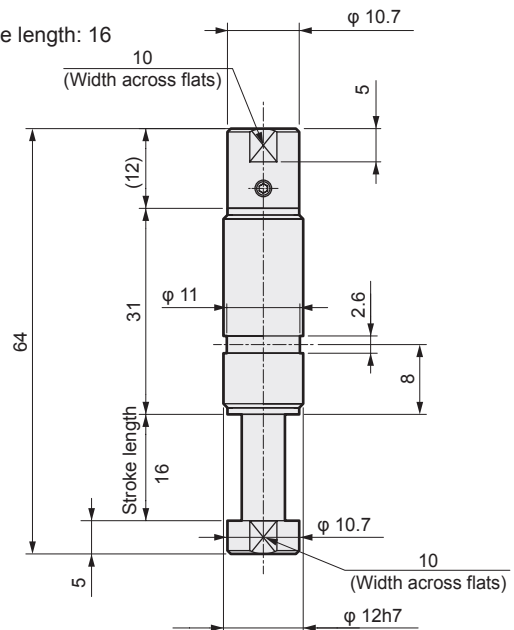
Note: Values in () are dimensions for the 6 strokes.

● FBU2-12D-S/H

Stroke length: 2, 6

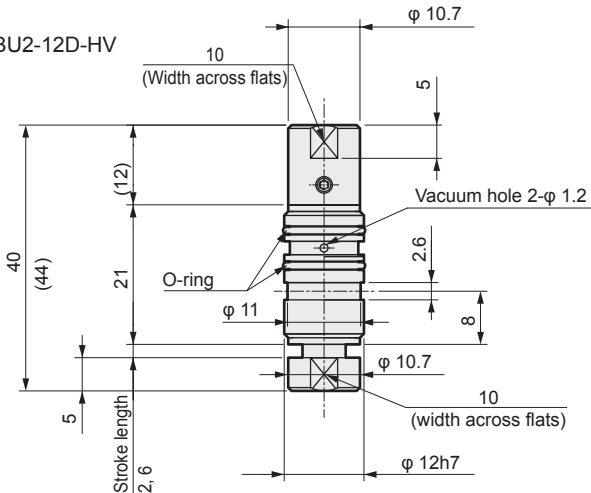


Stroke length: 16



Note: Values in () are dimensions for the 6 strokes.

● FBU2-12D-HV



Note: Values in () are dimensions for the 6 strokes.

Note: The O-ring is shipped installed. Apply a light coat of lubricant, such as grease, to the O-ring to maintain sealing.

Note: Drawing dimensions are the same regardless of head and tail shape.