

Dimensions



F.R.L. unit

Pneumatic auxiliary components

Air unit components

Precision components

Pressure sensor

Total air system

Main line unit

Main line unit

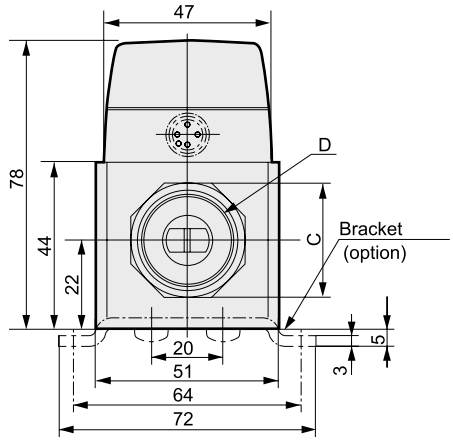
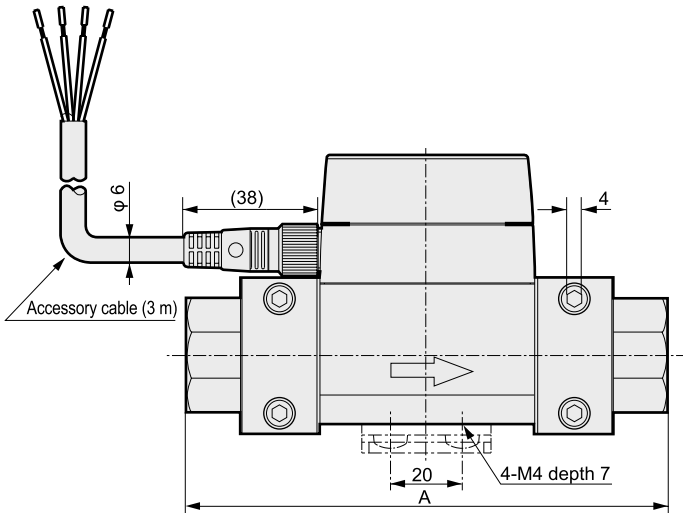
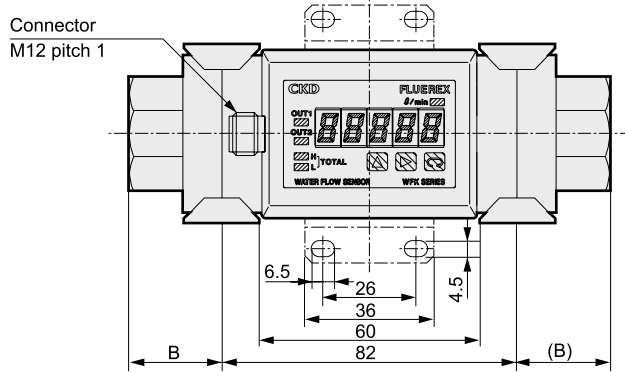
Ending

Small size flow rate sensor

Small size flow rate controller

Flow rate sensor for air

Flow rate sensor for water



Model no.	A	B	C	D
WFK60**-10	122	20	24 (hexagon)	Rc3/8
WFK60**-15	122	20	27 (hexagon)	Rc1/2
WFK60**-20	134	26	32 (octagon)	Rc3/4
WFK60**-10N	122	20	24 (hexagon)	3/8NPT
WFK60**-15N	122	20	27 (hexagon)	1/2NPT
WFK60**-20N	134	26	32 (octagon)	3/4NPT

Pressure loss

