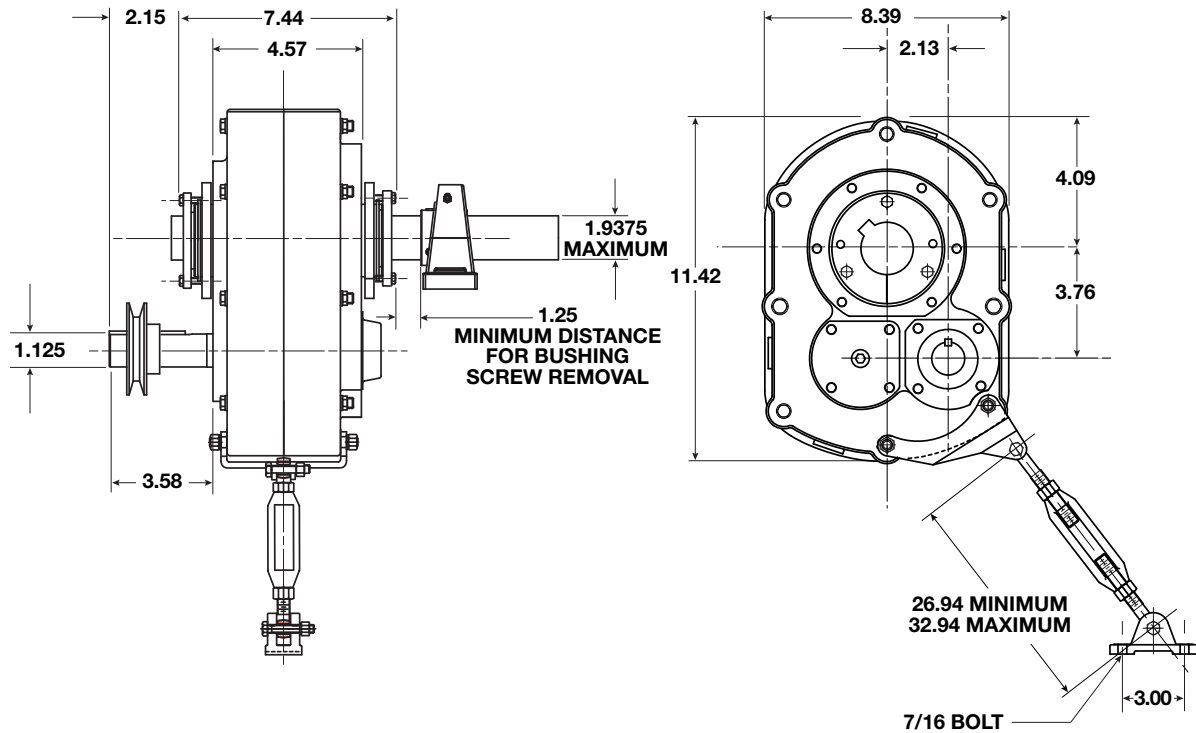




# VXT2 XD Dimensions

All dimensions listed in inches



## Output Hub Tapered Bushings (Other bushing sizes available by special order)

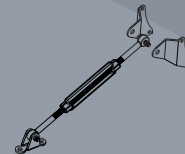
Bushing Kit Number (bore diameter)	Shaft Keyseat Required (inches)	Weight (lbs)
XBK2 1-5/16*	5/16 x 5/32 x 6-11/16	4.4
XBK2 1-3/8*	5/16 x 5/32 x 6-11/16	4.2
XBK2 1-7/16*	3/8 x 3/16 x 6-11/16	4.0
XBK2 1-1/2*	3/8 x 3/16 x 6-11/16	3.8
XBK2 1-5/8*	3/8 x 3/16 x 6-11/16	3.2
XBK2 1-11/16	3/8 x 3/16 x 6-11/16	3.4
XBK2 1-3/4	3/8 x 3/16 x 6-11/16	3.3
XBK2 1-15/16	1/2 x 1/4 x 6-11/16	2.9

\*Check the driven shaft and key for adequate load capacity.

## XD Style Speed Reducer (AGMA Size 115)

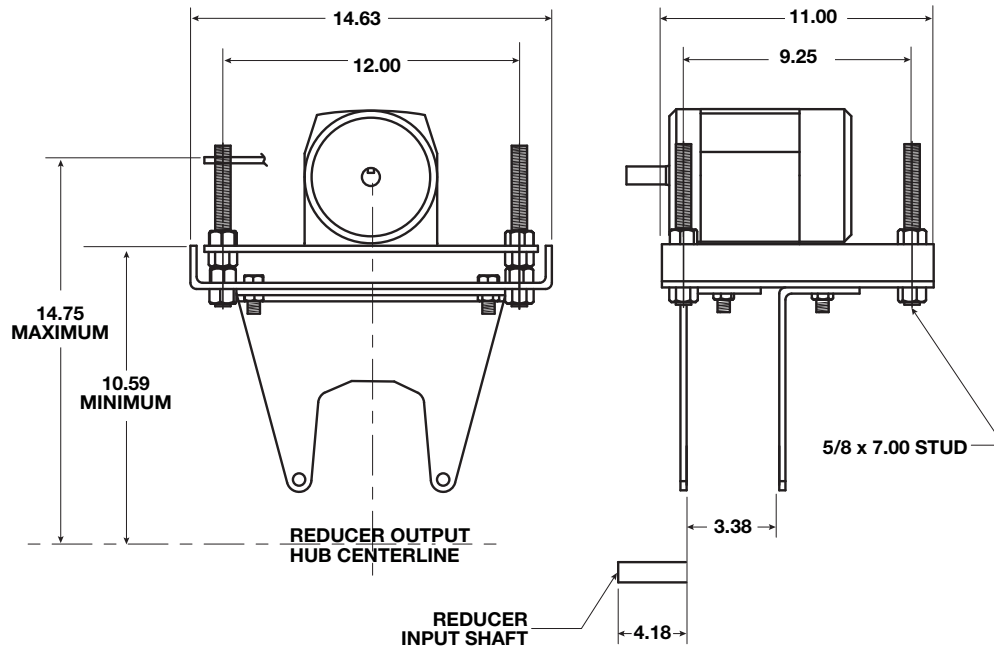
Reducer Unit	Exact Ratio	Maximum Output RPM	Weight (lbs)
VXT215 XD	14.04:1	140	60.0
VXT225 XD	23.37:1	85	60.0

## Included Torque Arm



Torque Arm Kit Number	Weight (lbs)
2TA	4.0

# VXT2 XD Accessories



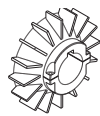
Motor Mount Kit Number	NEMA Motor Frame	Weight (lbs)
2MMA	56T-215T	37.0

V-Belt Center Distance for NEMA Frame Motors				
	56	140	180	210
Minimum	18.7	18.7	19.7	20.5
Maximum	22.1	22.1	23.1	23.9



**Backstop**

2BKS



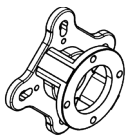
**Cooling Fan Kit**

2CFK



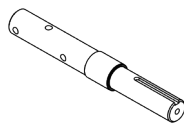
**Component Replacement Repair Kit**

2RK



**Screw Conveyor Flange**

2SCF



**Screw Conveyor Drive Shaft**

2SCDS

**Output Shaft Diameter Options (in)**

1-1/2

2

2-7/16

3



**Screw Conveyor Shaft Removal Wedge**

2SCRW

