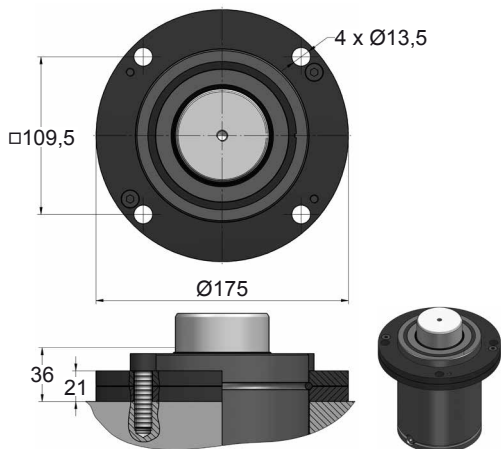
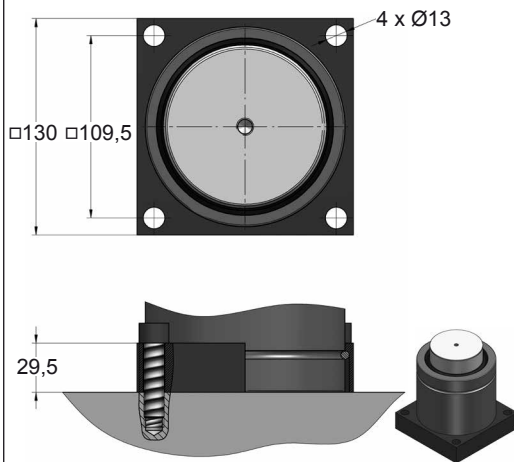


BRIDAS Ø 120

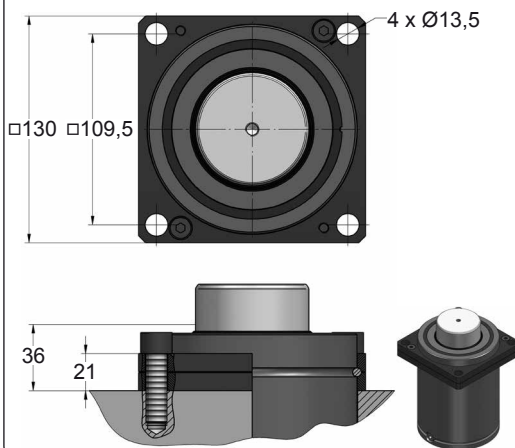
A14-120



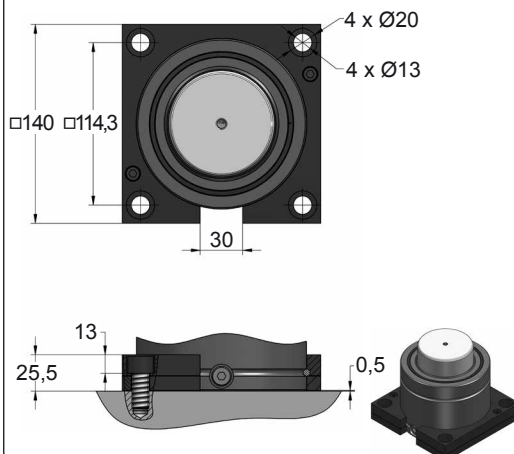
A19-120



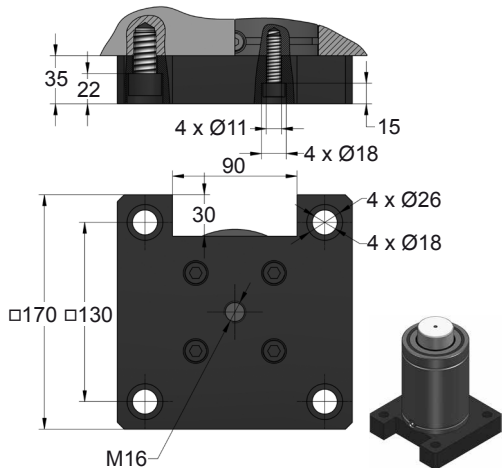
A34-120



AY4-120

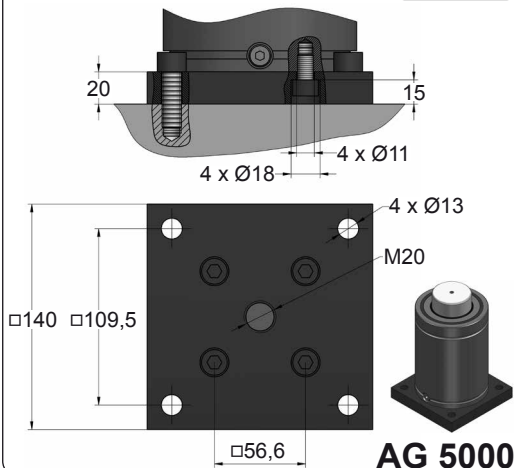


B13-120

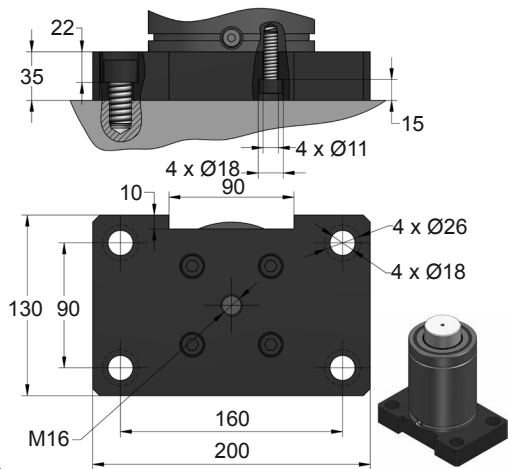


B16-120

E24.54.815.G

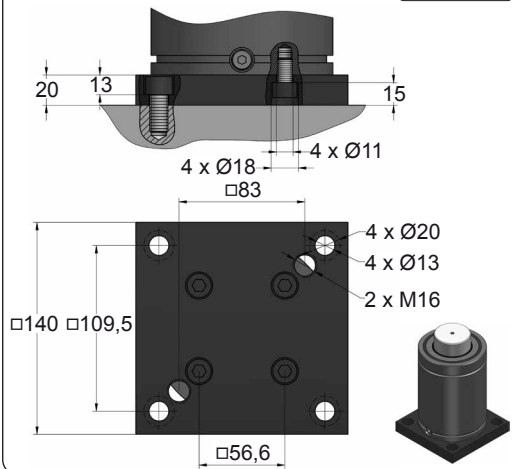


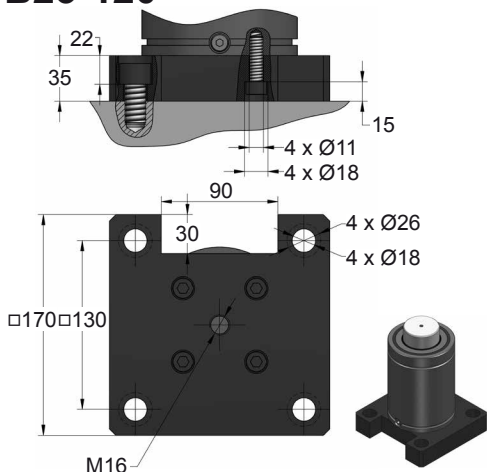
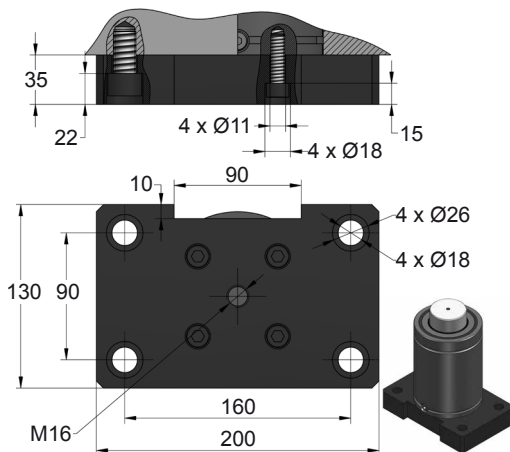
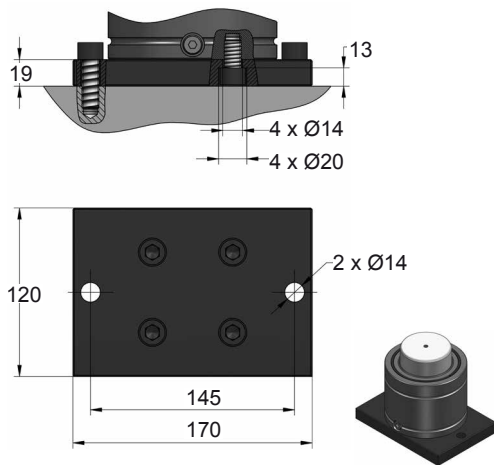
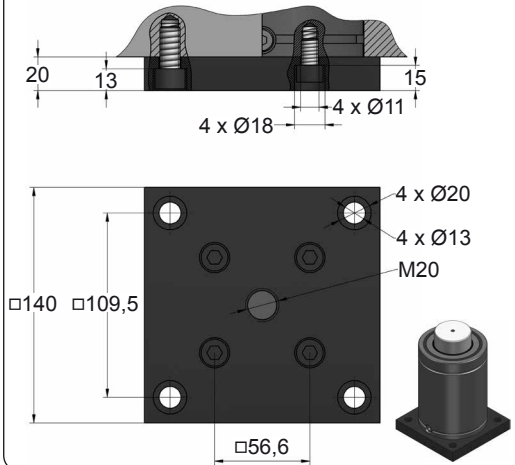
B18-120



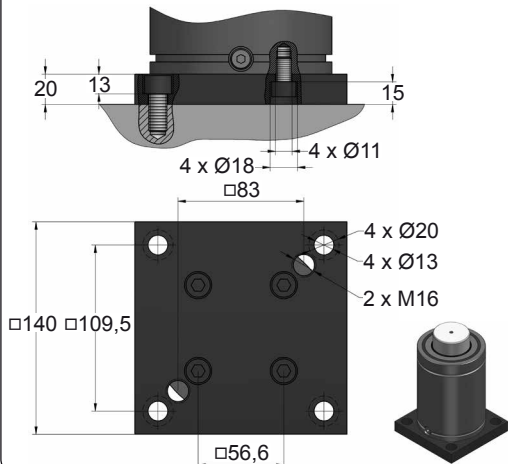
B21-120

EM24.54.700/F



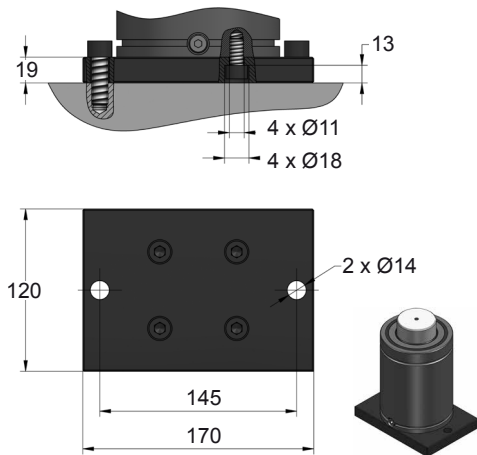
BRIDAS Ø 120**B23-120****B28-120****B33-120**K32 D2
EM24.54.700/F**B36-120**

B41-120



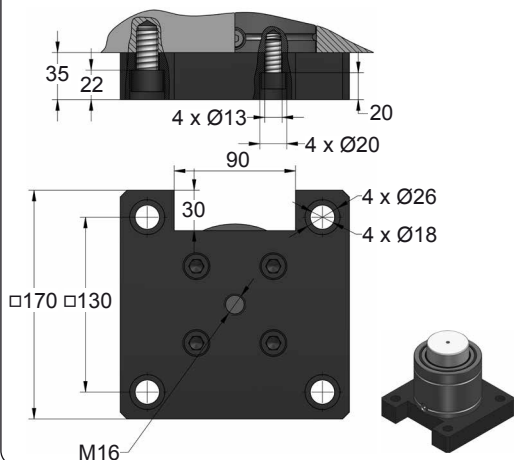
B43-120

K32 P0
EM24.54.700/F



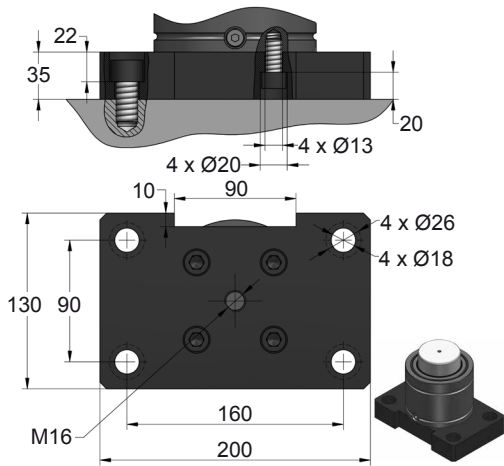
B56-120

SMS DKH 3221n



B61-120

SMS DKH 3221n

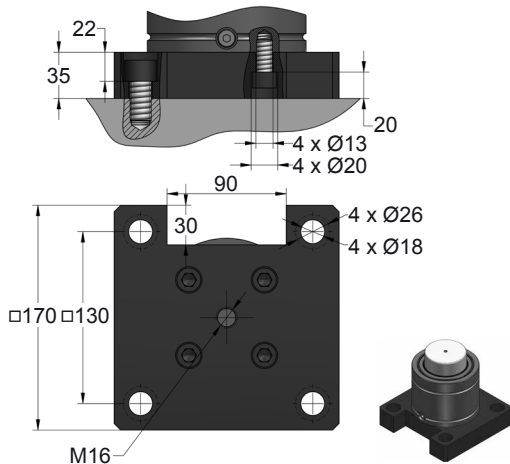


BRIDAS Ø 120

AZOL
GAS

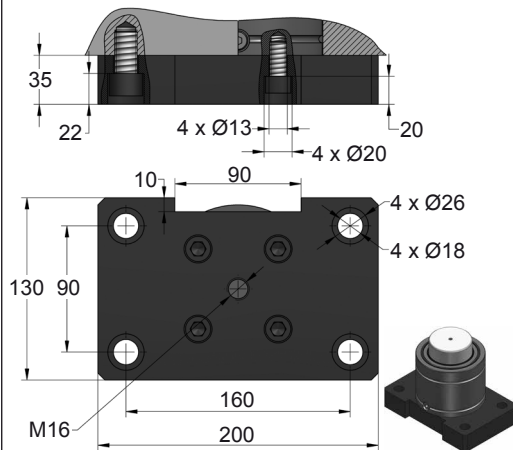
B66-120

SMS DKH 3221n

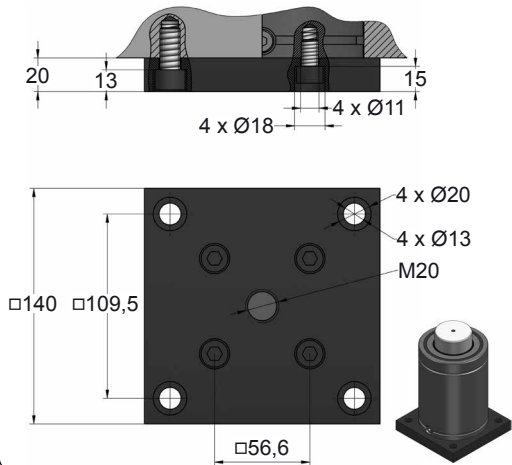


B71-120

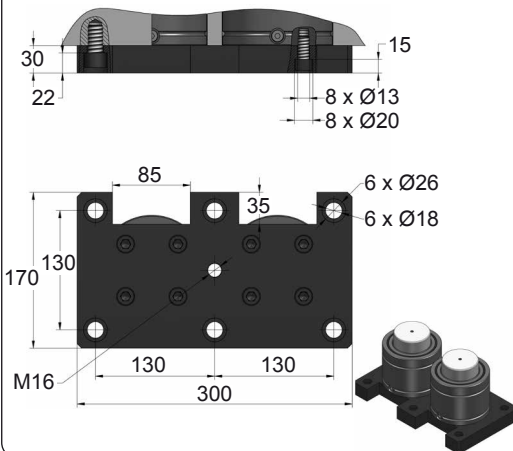
SMS DKH 3221n



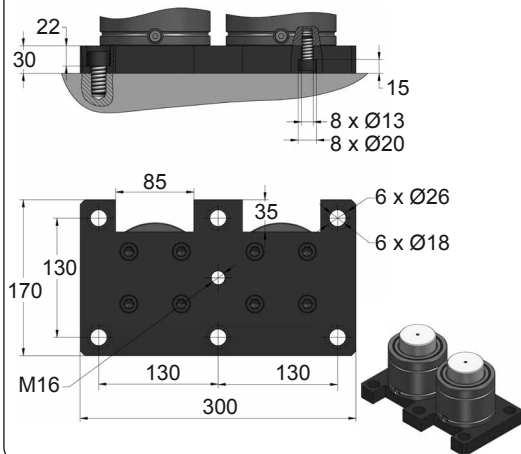
B76-120



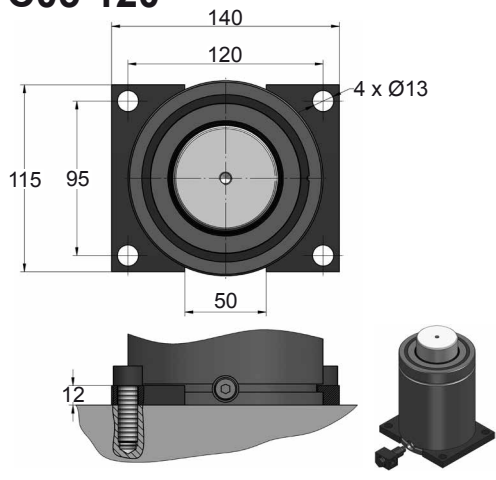
B88-120



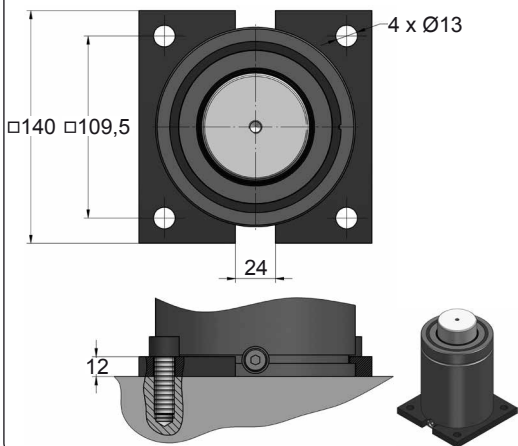
B93-120



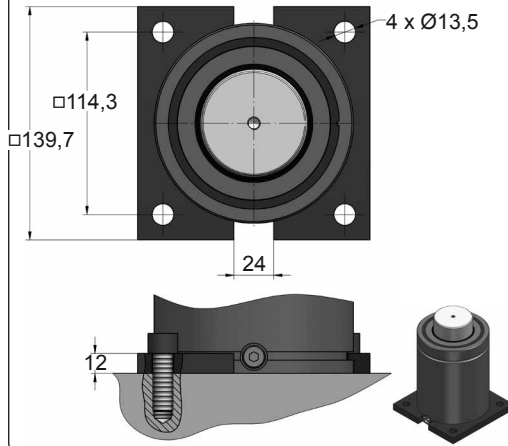
C05-120



C20-120



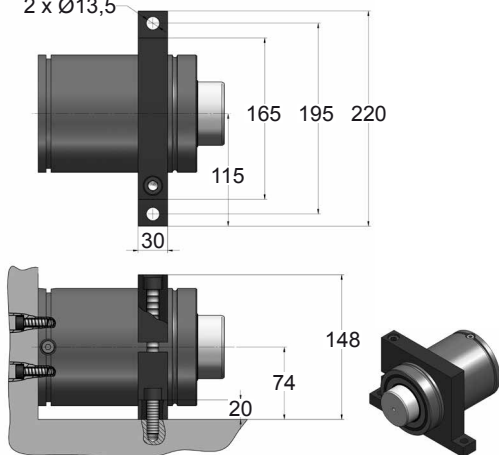
CY0-120



BRIDAS Ø 120

D02-120

2 x Ø13,5

E24.54.815.G
EM24.54.700F

D67-120

