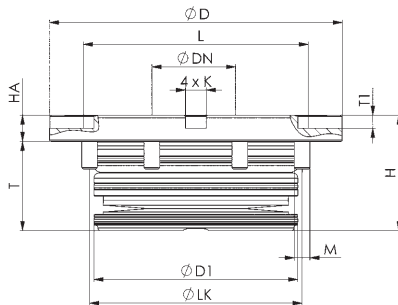
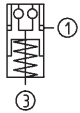


No. 6370EAIHA

Installation clamping module with indexing

Hydraulic opening.
Pneumatic blow-out.
Opening operating pressure: min. 50 bar - max. 60 bar.
Cover and piston hardened.
Repeatability < 0.005 mm.



Order no.	Size	Pull-in/locking force up to	Holding force*	Blow out	Weight
		[kN]	[kN]		[Kg]
428425	K20	20	55	●	1,4

Application:

Zero-point clamping system for set-up-time-optimised clamping during cutting and non-cutting machining.
The indexing function of the clamping module prevents the pallet from twisting, enabling exact positioning every 90°.

Note:

The installation clamping module has high holding, pull-in and locking forces. This is opened hydraulically (1) and mechanically locked through spring force. Subsequent uncoupling of the pressure lines is possible at all times (module is tensioned pressure-free).
The clamping module with blow-out and support control has two connections: 1x hydr. opening (1) / 1x pneum. blow-out and support control (3). (The pneumatic blow-out and support control can optionally be connected.)

* Please observe the installation instructions.

On request:

- Installation diagrams

CAD



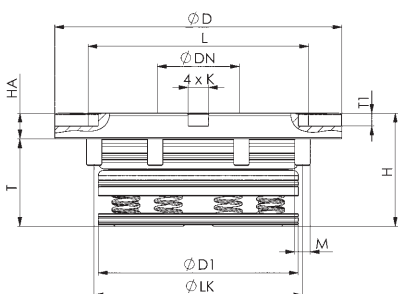
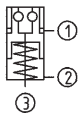
Dimensions:

Order no.	Size	dia. D	dia. DN	dia. D1	H	HA	K F6	L	dia. LK	M	T	T1
428425	K20	112	32	78	44	10	8	86	88	M6	34	5

No. 6370EAILA

Installation clamping module with indexing

Pneumatic opening.
Pneumatic blow-out.
Opening operating pressure: min. 8 bar - max. 12 bar.
Retensioning operating pressure (turbo): min. 5 bar - max. 6 bar.
Cover and piston hardened.
Repeatability < 0.005 mm.



Order no.	Size	Pull-in/locking force up to	Holding force*	Blow out	Weight
		[kN]	[kN]		[Kg]
428441	K20	17	55	●	1,4

Application:

Zero-point clamping system for set-up-time-optimised clamping during cutting and non-cutting machining.
The indexing function of the clamping module prevents the pallet from twisting, enabling exact positioning every 90°.

Note:

The installation clamping module has high holding, pull-in and locking forces. This is opened pneumatically (1) and mechanically locked through spring force. To achieve the specified pull-in and locking forces, it must be briefly retensioned pneumatically (turbo) (2). Subsequent uncoupling of the pressure lines is possible at all times (module is tensioned pressure-free). Use of the pneumatic pressure booster 6370ZVL is recommended.

The clamping module with blow-out and support control has three connections: 1x pneum. opening (1) / 1x pneum. retensioning (turbo) (2), 1x pneum. blow-out and support control (3). (The pneumatic blow-out and support control can optionally be connected.)

* Please observe the installation instructions.

On request:

- Installation diagrams

CAD



Dimensions:

Order no.	Size	dia. D	dia. DN	dia. D1	H	HA	K F6	L	dia. LK	M	T	T1
428441	K20	112	32	78	44	10	8	86	88	M6	34	5

Subject to technical alterations.