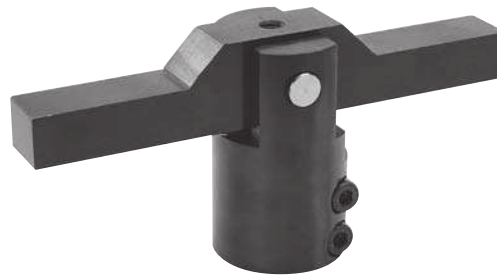


No. 6951WN

Swing Clamp arm, double-ended

pivoted



Order no.	Article no.	2A	B	C	D	dia. E	F	G	H	J	dia. K	L	M	W max.	Weight [g]
320481	6951WN-22-200	200	107	25	20	31,8	35	10	55	57,5	16	30,5	M8	6°	1800
320499	6951WN-33-250	250	125	33	22	38,2	38	10	65	64,5	20	36,0	M10	6°	3100

Design:

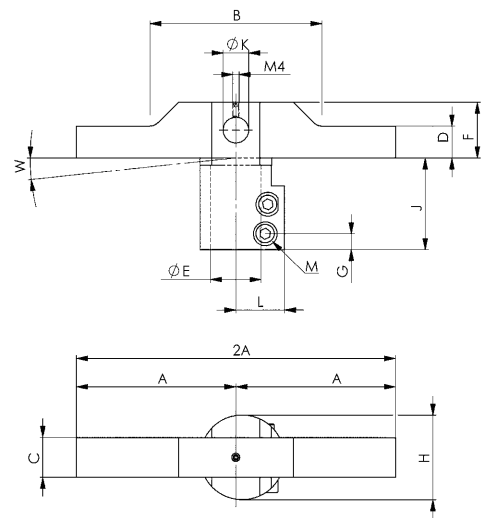
Steel, blued. Clamping arm tempered.

Application:

For all swing clamps
 order no. 320481 for sizes 6951xx-22-xx
 order no. 320499 for sizes 6951xx-33-xx
 Used for clamping two workpieces with different heights.

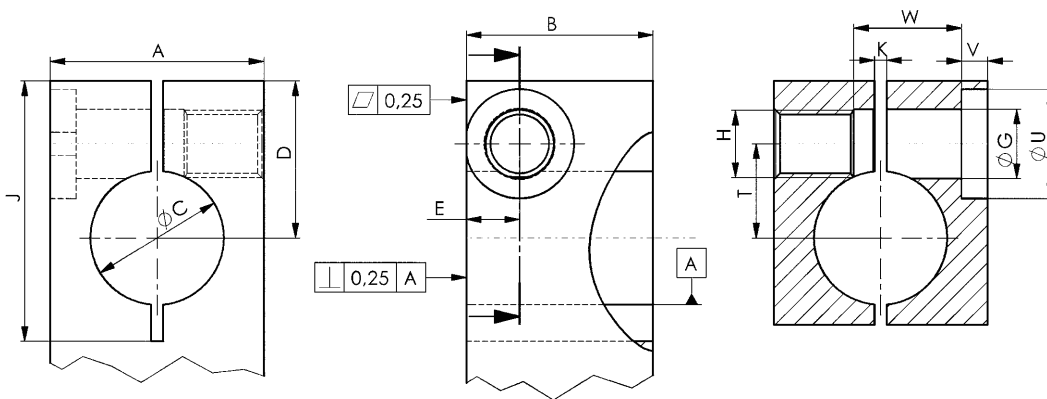
Note:

Clamping pressure and maximum tilt angle (W) must not be exceeded. Special versions are available on request.



No. 6951

Dimensions for proprietary manufacturing of clamping arms



tolerance DIN ISO 2768 m

Important note:

Lever lengths and lever weights must be observed!

Dimensions table (proprietary manufacture):

for size	A	B	$\varnothing C$ +0,025	D	E	$\varnothing G$	H	J	K	T	U	V	W
-22	51	44,5	31,775	37,4	12,5	16,5	M16x1,50-6H	59	2,93	22,4	26	6,2	25,7
-33	70	44,5	38,138	40,4	14,2	16,5	M16x1,50-6H	65	3,23	25,5	26	9,6	35,5

Subject to technical alterations.