

PJP系列

通用型快插接头



通用

特点

- ◇ 本体为铜合金，适用于恶劣环境下使用，寿命长
- ◇ 作用于真空系统中的连接元件
- ◇ 多种款式可供选择



型号规格

PJP - ① - ② - ③ - ④ M5M

① 产品系列	② 插管方向	③ 插管规格	④ 螺纹规格
PJP	I - 垂直方向	A4 - φ4软管	M5M - M5×0.8外螺纹
	L - 水平方向	A6 - φ6软管	G1M - G1/8外螺纹
	LT - 水平方向，顶部六角	A8 - φ8软管	G2M - G1/4外螺纹
	T - 两端水平方向	A10 - φ10软管	G3M - G3/8外螺纹
	QT - 三头T形方向	A12 - φ12软管	G4M - G1/2外螺纹
			A14 - φ14软管

选型规格

型号/类型 垂直方向		水平方向		水平方向，顶部六角		两端水平方向		三头T形方向	
PJP-I-A4-M5M	PJP-I-A8-G3M	PJP-L-A4-M5M	PJP-L-A10-G2M	PJP-LT-A4-M5M		PJP-T-A4-M5M		PJP-QT-A4	
PJP-I-A4-G1M	PJP-I-A10-G3M	PJP-L-A4-G1M	PJP-L-A12-G2M	PJP-LT-A6-G1M		PJP-T-A4-G1M		PJP-QT-A6	
PJP-I-A6-G1M	PJP-I-A12-G3M	PJP-L-A6-G1M	PJP-L-A8-G3M	PJP-LT-A8-G2M		PJP-T-A6-G1M		PJP-QT-A8	
PJP-I-A8-G1M	PJP-I-A14-G3M	PJP-L-A8-G1M	PJP-L-A10-G3M			PJP-T-A8-G1M		PJP-QT-A10	
PJP-I-A6-G2M	PJP-I-A10-G4M	PJP-L-A4-G2M	PJP-L-A12-G3M			PJP-T-A6-G2M		PJP-QT-A12	
PJP-I-A8-G2M	PJP-I-A12-G4M	PJP-L-A6-G2M	PJP-L-A10-G4M			PJP-T-A8-G2M		PJP-QT-A14	
PJP-I-A10-G2M	PJP-I-A14-G4M	PJP-L-A8-G2M	PJP-L-A12-G4M			PJP-T-A10-G2M			
PJP-I-A12-G2M						PJP-T-A12-G2M			

安装配件

PSPE

PSPL

PSPS

PSPT

PSPH

PSPD

PSPF

PJS

PJT

PJF

PJB

PJE

PJH

PJP

PJQ

PDA

PDR

PTS

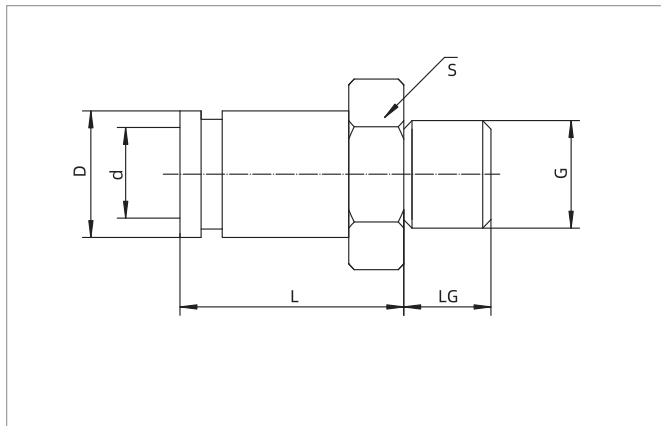
PTK

PSW

PJP系列

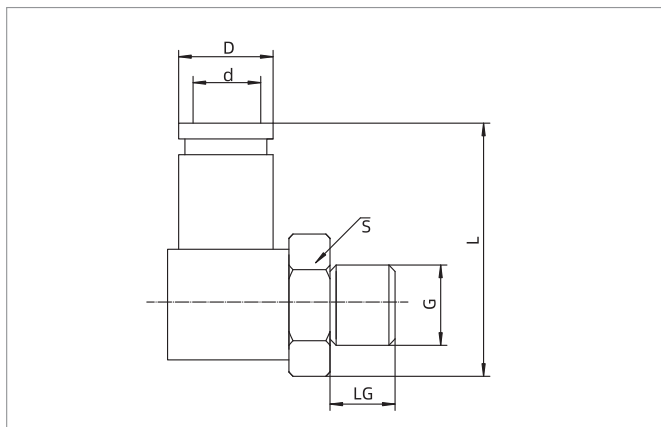
通用型快插接头

尺寸规格 (mm)



PJP-I-A8-□

型号/尺寸	d	D	L	LG	G	S
PJP-I-A4-M5M	4	9	16	5	M5×0.8	9
PJP-I-A4-G1M	4	9	12	7	G1/8	10
PJP-I-A6-G1M	6	12	17	7	G1/8	12
PJP-I-A8-G1M	8	14	22	7	G1/8	14
PJP-I-A6-G2M	6	12	13	9	G1/4	14
PJP-I-A8-G2M	8	14	20	7	G1/4	14
PJP-I-A10-G2M	10	16	24	9	G1/4	16
PJP-I-A12-G2M	12	18	21	9	G1/4	19
PJP-I-A8-G3M	8	14	13	10	G3/8	17
PJP-I-A10-G3M	10	16	20	10	G3/8	17
PJP-I-A12-G3M	12	18	20	10	G3/8	19
PJP-I-A14-G3M	14	20	20	10	G3/8	21
PJP-I-A10-G4M	10	16	13	12	G1/2	21
PJP-I-A12-G4M	12	18	20	12	G1/2	21
PJP-I-A14-G4M	14	20	20	12	G1/2	21



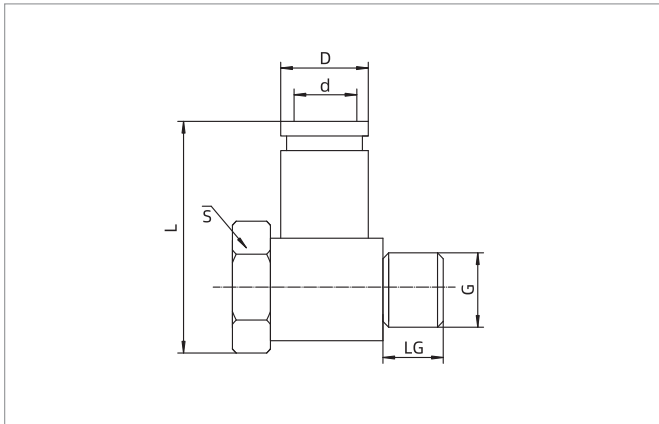
PJP-L-A8-□

型号/尺寸	d	D	L	LG	G	S
PJP-L-A4-M5M	4	9	24	5	M5×0.8	10
PJP-L-A4-G1M	4	9	24	7	G1/8	10
PJP-L-A6-G1M	6	12	28.5	7	G1/8	10
PJP-L-A8-G1M	8	14	32	7	G1/8	12
PJP-L-A4-G2M	4	9	26	9	G1/4	14
PJP-L-A6-G2M	6	12	30.5	9	G1/4	14
PJP-L-A8-G2M	8	14	33	9	G1/4	14
PJP-L-A10-G2M	10	16	36	9	G1/4	14
PJP-L-A12-G2M	12	18	39	9	G1/4	16
PJP-L-A8-G3M	8	14	34.5	10	G3/8	17
PJP-L-A10-G3M	10	16	36.5	10	G3/8	17
PJP-L-A12-G3M	12	18	37.5	10	G3/8	17
PJP-L-A10-G4M	10	16	39.5	12	G1/2	21
PJP-L-A12-G4M	12	18	41.5	12	G1/2	21

PJP系列

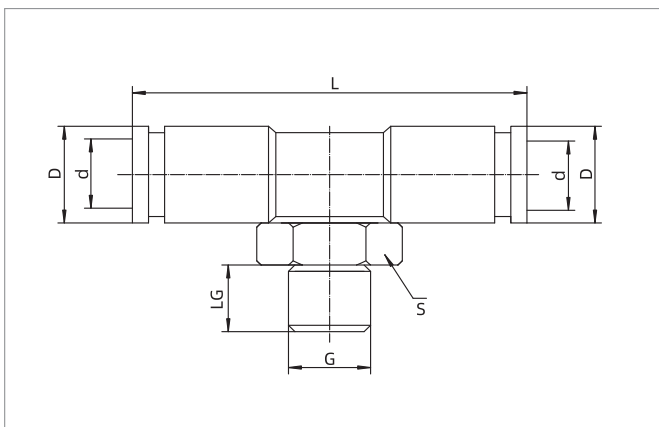
通用型快插接头

尺寸规格 (mm)



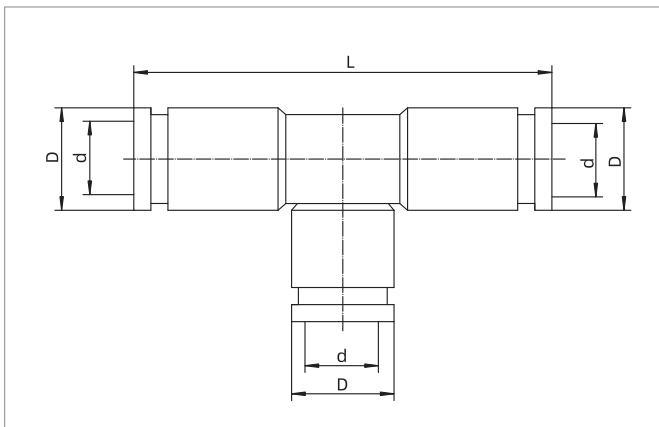
PJP-LT-A8-□

型号/尺寸	d	D	L	LG	G	S
PJP-LT-A4-M5M	4	9	24	5	M5×0.8	8
PJP-LT-A6-G1M	6	12	31	7	G1/8	12
PJP-LT-A8-G2M	8	14	34	9	G1/4	14



PJP-T-A8-□

型号/尺寸	d	D	L	LG	G	S
PJP-T-A4-M5M	4	9	37	5	M5×0.8	10
PJP-T-A4-G1M	4	9	37	5	G1/8	10
PJP-T-A6-G1M	6	12	48	7	G1/8	10
PJP-T-A8-G1M	8	14	53	7	G1/8	12
PJP-T-A6-G2M	6	12	48	9	G1/4	14
PJP-T-A8-G2M	8	14	53	9	G1/4	14
PJP-T-A10-G2M	10	16	59	9	G1/4	14
PJP-T-A12-G2M	12	18	63	9	G1/4	17



PJP-QT-□

型号/尺寸	d	D	L
PJP-QT-A4	4	9	38
PJP-QT-A6	6	12	46
PJP-QT-A8	8	14	50
PJP-QT-A10	10	16	60
PJP-QT-A12	12	18	60
PJP-QT-A14	14	20	62

安装
配件

PSPE

PSPL

PSPS

PSPT

PSPH

PSPD

PSPF

PJS

PJT

PJF

PJB

PJE

PJH

PJP

PJQ

PDA

PDR

PTS

PTK

PSW