

Races made from xirodur® B180 or xirodur® F180



xirodur® B180 races
PA cage, stainless
steel balls or glass
balls, double shield



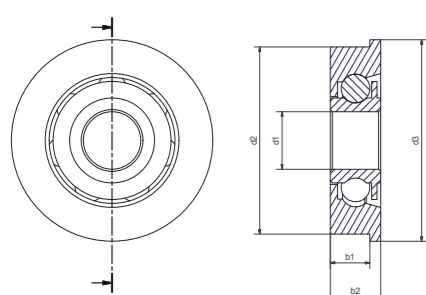
xirodur® B180 races
PA cage, stainless steel
balls or glass balls,
double flange and
shield



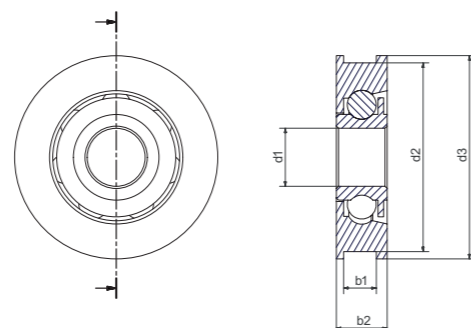
xirodur® F180 races
PA cage, stainless
steel balls,
double shield



xirodur® F180 races
PA cage, stainless
steel balls or glass
balls, double flange
and shield



Single flange



Flange on both sides

Technical data

Size	Flange on both sides	Max. stat. bearing load axial [N]	Bearing load		Max. speed [rpm]	Weight			
			stat. [N]	dyn. [N]		PA/ES [g]	B180 PA/GL [g]	B180/ES [g]	F180 PA/ES [g]
608		165	78	84	2,500	32.5	25.9	–	5.9
608	●	165	78	84	2,500	6.1	4.8	–	6.1
6000		285	85	119	1,900	9.6	–	9.6	–
6001		315	105	147	1,750	10.8	–	–	–
6002		338	146	196	1,600	12.1	–	–	–
6003		360	240	330	1,600	13.4	–	13.4	–

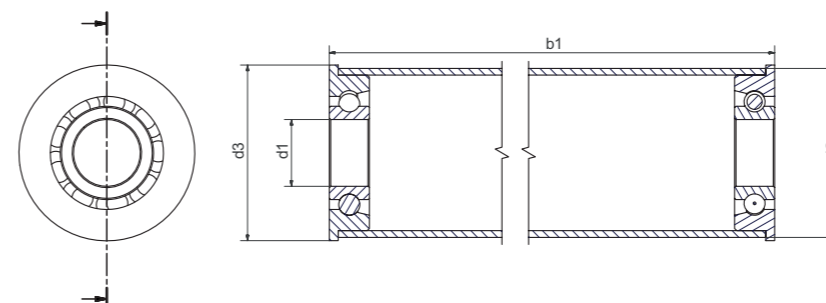
Dimensions [mm]

Inner Ø		Outer Ø		Width		Cage/ball material combination			Part No.
d1	d2	d3	b1	b2	B180		F180		
d1	d2	d3	b1	b2	PA/ES	PA/GL	PA/ES		
8	26	28	5.5	7	●	●	●	BB-608F-□-10-□-CC	
8	26	28	4	7	●	●	●	BB-608FF-□-□-□-CC	
8	28	30	5.5	7	●			BB-608F2830-B180-10-ES	
10	28	30	7	9	●			BB-6000F2830-B180-10-ES	
12	28	30	7	9	●			BB-6001F2830-B180-10-ES	
10	35	38	7	9	●			BB-6000F3538-B180-10-ES	
12	35	38	7	9	●			BB-6001F3538-B180-10-ES	
15	35	38	7	9	●			BB-6002F3538-B180-10-ES	
17	35	38	8	10	●			BB-6003F3538-B180-10-ES	

xiros® system-solution - aluminium tube with flange bearing



Aluminium tube with xirodur® B180 flange ball
bearing, available lengths: 25 - 1,500 mm



Dimensions [mm]

Inner Ø d1	Outer Ø d2	Flange Ø d3	Length b1	Part No.
8	30	29.9	25 – 1,500	BBT-AC30-608-B180-10-ES
10	30	29.9	25 – 1,500	BBT-AC30-6000-B180-10-ES
12	30	29.9	25 – 1,500	BBT-AC30-6001-B180-10-ES
10	38	37.9	25 – 1,500	BBT-AC38-6000-B180-10-ES
12	38	37.9	25 – 1,500	BBT-AC38-6001-B180-10-ES
15	38	37.9	25 – 1,500	BBT-AC38-6002-B180-10-ES
17	38	37.9	25 – 1,500	BBT-AC38-6003-B180-10-ES



Order example:

BBT-AC38-6000-B180-10-ES, L=500 mm = aluminium tube with 2 flange ball bearings, PA cage and stainless steel balls, total length 500 mm