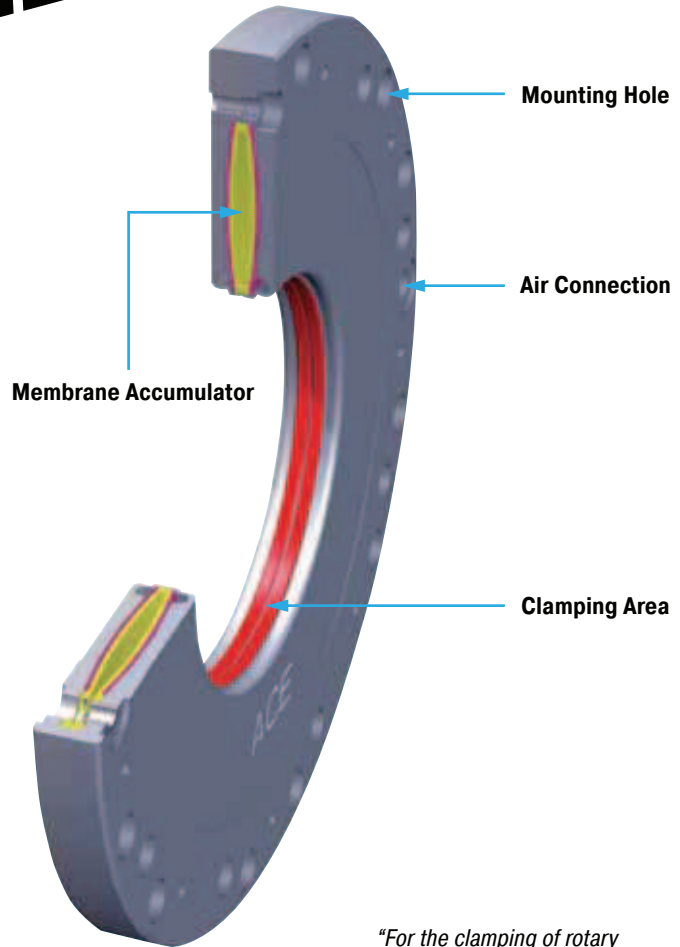


The innovative pneumatic clamping elements of the **LOCKED Series R** from ACE offer the highest brake torques for the clamping of rotary motions directly on the shaft. They are available in standard sizes for shaft diameters from 50 to 340 mm. Through the membrane/spring steel sheet system, a pressure decrease results in **instant clamping**. Through the utilization of pneumatic quick-acting valves, extremely short reaction times can be realized. The costs are low in comparison with hydraulic clamping systems. In spite of compact and easy to install construction method, the values achieved by hydraulic clamping are matched or even exceeded. In addition, custom-built designs for YRT bearings, as well as active clamping elements, are available. ACE recommends the utilization of the optional shaft flanges as wear protection.

# NEW



*"For the clamping of rotary motions too!"*



**Clamping cycles:** 1 000 000. For higher values please consult ACE.

**Material:** Clamping body: Hardened fine-grain structural steel, inner bore ground. Optionally fitting shaft flanges: C45 standard or steel coated.

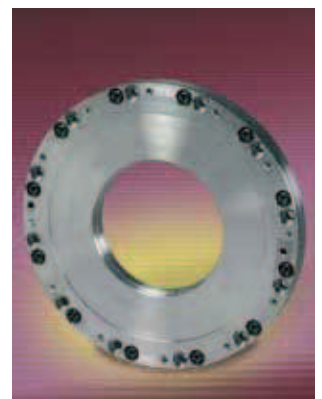
**Operating pressure:** 4 bar or 6 bar (standard type)

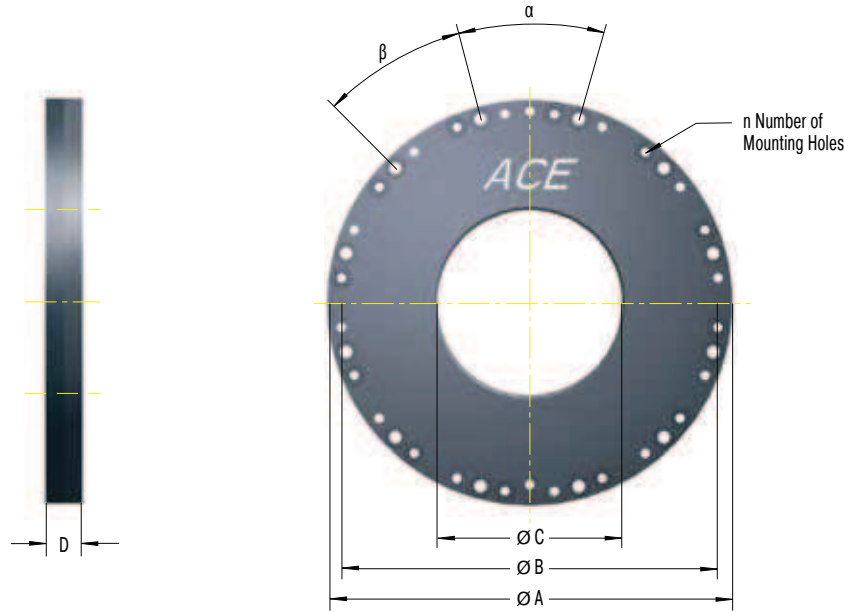
**Pneumatic medium:** Dried, filtered air

**Operating temperature range:** 10 °C to 45 °C

**Holding Torques:** Up to 4680 Nm

**Shaft diameter:** 50 mm to 340 mm (up to 460 mm for the YRT model)





### Ordering Example

Rotational Clamping \_\_\_\_\_  
 Shaft Nominal Diameter 80 mm \_\_\_\_\_  
 Z = Increased Force with Additional Air \_\_\_\_\_  
 6B = 6 bar Type \_\_\_\_\_  
 4B = 4 bar Type \_\_\_\_\_

**R80-Z-6B**

### Complete Details Required when Ordering

Operating pressure: 4 bar or 6 bar  
 Option: With additional air

The calculation and selection of the correct clamping device should be made or approved by ACE.

Installation drawings of the different types are available on request.

### Dimensions and Capacity Chart

Type	C opened	Shaft Diameter	A	B	D	n	α	β	Holding Torque Nm		Weight kg
									4 bar	6 bar	
R50	50+0.03/+0.05	50-0.01/-0.025	145	134	15	8	45	45	42	60	1.7
R60	60+0.03/+0.05	60-0.01/-0.025	155	144	15	8	45	45	59	84	1.9
R70	70+0.03/+0.05	70-0.01/-0.025	165	154	15	12	30	30	80	114	2.1
R80	80+0.03/+0.05	80-0.01/-0.025	175	164	15	12	30	30	105	150	2.3
R90	90+0.03/+0.05	90-0.01/-0.025	185	174	15	12	30	30	132	189	2.5
R100	100+0.04/+0.06	100-0.01/-0.025	228	210	16	12	40	20	168	240	4.1
R120	120+0.04/+0.06	120-0.01/-0.025	248	230	16	12	40	20	235	336	4.6
R140	140+0.04/+0.06	140-0.01/-0.025	268	250	16	12	40	20	319	456	5.1
R160	160+0.04/+0.06	160-0.01/-0.025	288	270	16	12	40	20	420	600	5.6
R180	180+0.04/+0.06	180-0.01/-0.025	308	290	20	16	30	15	525	750	7.7
R200	200+0.05/+0.07	200-0.01/-0.03	328	310	20	16	30	15	651	930	8.3
R220	220+0.05/+0.07	220-0.01/-0.03	348	330	20	16	30	15	777	1 110	8.9
R240	240+0.05/+0.07	240-0.01/-0.03	368	350	20	24	20	10	945	1 350	9.5
R260	260+0.05/+0.07	260-0.01/-0.03	388	370	22	24	20	10	1 092	1 560	11.2
R280	280+0.05/+0.07	280-0.01/-0.03	408	390	22	24	20	10	1 260	1 800	11.9
R300	300+0.05/+0.07	300-0.01/-0.03	428	410	22	24	20	10	1 470	2 100	12.6
R320	320+0.05/+0.07	320-0.01/-0.03	448	430	22	24	20	10	1 638	2 340	13.1
R340	340+0.05/+0.07	340-0.01/-0.03	468	450	22	24	20	10	1 806	2 580	14
<b>Type Z</b>											
R50-Z	50+0.03/+0.05	50-0.01/-0.025	145	134	15	8	45	45	76	108	1.7
R60-Z	60+0.03/+0.05	60-0.01/-0.025	155	144	15	8	45	45	107	153	1.9
R70-Z	70+0.03/+0.05	70-0.01/-0.025	165	154	15	12	30	30	147	210	2.1
R80-Z	80+0.03/+0.05	80-0.01/-0.025	175	164	15	12	30	30	189	270	2.3
R90-Z	90+0.03/+0.05	90-0.01/-0.025	185	174	15	12	30	30	239	342	2.5
R100-Z	100+0.04/+0.06	100-0.01/-0.025	228	210	16	12	40	20	294	420	4.1
R120-Z	120+0.04/+0.06	120-0.01/-0.025	248	230	16	12	40	20	420	600	4.6
R140-Z	140+0.04/+0.06	140-0.01/-0.025	268	250	16	12	40	20	588	840	5.1
R160-Z	160+0.04/+0.06	160-0.01/-0.025	288	270	16	12	40	20	756	1 080	5.6
R180-Z	180+0.04/+0.06	180-0.01/-0.025	308	290	20	16	30	15	966	1 380	7.7
R200-Z	200+0.05/+0.07	200-0.01/-0.03	328	310	20	16	30	15	1 176	1 680	8.3
R220-Z	220+0.05/+0.07	220-0.01/-0.03	348	330	20	16	30	15	1 428	2 040	8.9
R240-Z	240+0.05/+0.07	240-0.01/-0.03	368	350	20	24	20	10	1 680	2 400	8.9
R260-Z	260+0.05/+0.07	260-0.01/-0.03	388	370	22	24	20	10	1 974	2 820	11.2
R280-Z	280+0.05/+0.07	280-0.01/-0.03	408	390	22	24	20	10	2 268	3 240	11.9
R300-Z	300+0.05/+0.07	300-0.01/-0.03	428	410	22	24	20	10	2 604	3 720	12.6
R320-Z	320+0.05/+0.07	320-0.01/-0.03	448	430	22	24	20	10	2 940	4 200	13.1
R340-Z	340+0.05/+0.07	340-0.01/-0.03	468	450	22	24	20	10	3 276	4 680	14